

# TPS780xx 150-mA Low-Dropout Regulator, Ultralow-Power, $I_Q$ 500 nA With Pin-Selectable, Dual-Level Output Voltage

## 1 Features

- Low  $I_Q$ : 500 nA
- 150-mA, Low-Dropout Regulator With Pin-Selectable Dual Voltage Level Output
- Low Dropout: 200 mV at 150 mA
- 3% Accuracy Over Load, Line, and Temperature
- Available in Dual-Level, Fixed-Output Voltages From 1.5 V to 4.2 V
- Available in an Adjustable Version from 1.22 V to 5.25 V or a Dual-Level Output Version
- $V_{SET}$  Pin Toggles Output Voltage Between Two Factory-Programmed Voltage Levels
- Stable with a 1.0- $\mu$ F Ceramic Capacitor
- Thermal Shutdown and Overcurrent Protection
- CMOS Logic Level-Compatible Enable Pin
- Available in DDC (TSOT23-5) or DRV (2-mm x 2-mm SON-6) Package Options

## 2 Applications

- TI MSP430™ Attach Applications
- Power Rails With Programming Mode
- Dual Voltage Levels for Power-Saving Mode
- Wireless Handsets, Smart Phones, PDAs, MP3 Players, and Other Battery-Operated Handheld Products

## 3 Description

The TPS780 family of low-dropout (LDO) regulators offer the benefits of ultralow power, miniaturized packaging, and selectable dual-level output voltage levels with the  $V_{SET}$  pin.

The ultralow-power and dynamic voltage scaling (DVS) capability which provides dual-level output voltages let designers customize power consumption for specific applications. Designers can now shift to a lower voltage level in a battery-powered design when the microprocessor is in sleep mode, further reducing overall system power consumption. The two voltage levels are preset at the factory and are stored using EPROM and are available on fixed output voltage devices.

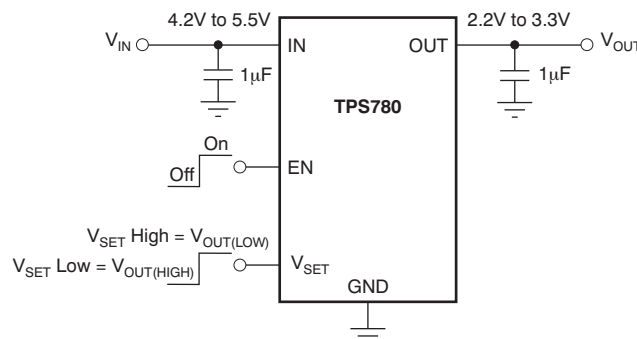
The TPS780 series of LDOs are designed to be compatible with the TI MSP430 and other similar products. The enable pin is compatible with standard CMOS logic. The TPS780 series also come with thermal shutdown and current limit to protect the device during fault conditions. All packages have an operating temperature range of  $T_J = -40^\circ\text{C}$  to  $125^\circ\text{C}$ . For more cost-sensitive applications requiring a dual-level voltage option and only *on par*  $I_Q$ , consider the [TPS781 series](#), with an  $I_Q$  of 1.0  $\mu\text{A}$  and dynamic voltage scaling.

### Device Information<sup>(1)</sup>

| PART NUMBER | PACKAGE | BODY SIZE (NOM)   |
|-------------|---------|-------------------|
| TPS780xx    | SOT (5) | 2.90 mm x 1.60 mm |
|             | SON (6) | 2.00 mm x 2.00 mm |

(1) For all available packages, see the orderable addendum at the end of the data sheet.

### Simplified Schematic



## Table of Contents

|  |           |  |           |
|--|-----------|--|-----------|
| <b>1 Features</b> .....                        | <b>1</b>  | <b>8 Application and Implementation</b> .....                    | <b>18</b> |
| <b>2 Applications</b> .....                    | <b>1</b>  | 8.1 Application Information.....                                 | 18        |
| <b>3 Description</b> .....                     | <b>1</b>  | 8.2 Typical Application .....                                    | 18        |
| <b>4 Revision History</b> .....                | <b>2</b>  | 8.3 Do's and Don'ts.....   | 19        |
| <b>5 Pin Configuration and Functions</b> ..... | <b>3</b>  | <b>9 Power Supply Recommendations</b> .....                      | <b>20</b> |
| <b>6 Specifications</b> .....                  | <b>4</b>  | 9.1 Powering the MSP430 Microcontroller.....                     | 20        |
| 6.1 Absolute Maximum Ratings .....             | 4         | <b>10 Layout</b> .....   | <b>22</b> |
| 6.2 ESD Ratings.....                           | 4         | 10.1 Layout Guidelines .....                                     | 22        |
| 6.3 Recommended Operating Conditions.....      | 4         | 10.2 Layout Example .....  | 23        |
| 6.4 Thermal Information .....                  | 4         | 10.3 Thermal Considerations.....                                 | 23        |
| 6.5 Electrical Characteristics.....            | 5         | 10.4 Power Dissipation .....                                     | 23        |
| 6.6 Typical Characteristics.....               | 6         | <b>11 Device and Documentation Support</b> .....                 | <b>24</b> |
| <b>7 Detailed Description</b> .....            | <b>15</b> | 11.1 Device Support.....   | 24        |
| 7.1 Overview .....                             | 15        | 11.2 Documentation Support .....                                 | 24        |
| 7.2 Functional Block Diagram .....             | 15        | 11.3 Trademarks .....  | 24        |
| 7.3 Feature Description.....                   | 15        | 11.4 Electrostatic Discharge Caution.....                        | 24        |
| 7.4 Device Functional Modes.....               | 16        | 11.5 Glossary .....  | 24        |
| 7.5 Programming.....                           | 17        | <b>12 Mechanical, Packaging, and Orderable Information</b> ..... | <b>25</b> |

## 4 Revision History

NOTE: Page numbers for previous revisions may differ from page numbers in the current version.

| Changes from Revision D (September 2012) to Revision E   | Page |
|--|------|
| • Added <i>ESD Ratings</i> table, <i>Feature Description</i> section, <i>Device Functional Modes</i> , <i>Application and Implementation</i> section, <i>Power Supply Recommendations</i> section, <i>Layout</i> section, <i>Device and Documentation Support</i> section, and <i>Mechanical, Packaging, and Orderable Information</i> section ..... | 1    |
| • Deleted <i>Dissipation Ratings</i> table; see <a href="#">Thermal Information</a> .....  | 4    |
| • Changed parametric symbol for line and load regulation .....   | 5    |

| Changes from Revision C (May 2008) to Revision D                        | Page |
|---|------|
| • Updated <a href="#">Figure 47</a> and <a href="#">Figure 48</a> ..... | 12   |

## 5 Pin Configuration and Functions



- (1) It is recommended that the SON package thermal pad be connected to ground.

### Pin Functions

| NAME                 | PIN |     | I/O | DESCRIPTION   |
|----------------------|-----|-----|-----|---|
|                      | SON | SOT |     |   |
| OUT                  | 1   | 5   | O   | Regulated output voltage pin. A small (1- $\mu$ F) ceramic capacitor is needed from this pin to ground to assure stability. See <a href="#">Input and Output Capacitor Requirements</a> for more details.   |
| N/C                  | 2   | —   | —   | Not connected.  |
| V <sub>SET</sub> /FB | 3   | 4   | I   | Feedback pin (FB) for adjustable versions; V <sub>SET</sub> for fixed voltage versions. Drive the select pin (V <sub>SET</sub> ) below 0.4 V to select preset output voltage high. Drive the V <sub>SET</sub> pin over 1.2 V to select preset output voltage low. |
| EN                   | 4   | 3   | I   | Enable pin. Drive this pin over 1.2 V to turn on the regulator. Drive this pin below 0.4 V to put the regulator into shutdown mode, reducing operating current to 18 nA typical.  |
| GND                  | 5   | 2   | —   | Ground pin. Tie all ground pins to ground for proper operation.   |
| IN                   | 6   | 1   | I   | Input pin. A small capacitor is needed from this pin to ground to assure stability. A typical input capacitor is 1.0 $\mu$ F. Tie back both input and output capacitor ground to the IC ground, with no significant impedance between them.                       |
| Thermal pad          | —   | —   | —   | (SON package only) Connect the thermal pad to ground.   |

## 6 Specifications

### 6.1 Absolute Maximum Ratings

over operating free-air temperature range (unless otherwise noted) <sup>(1)</sup>

|   |                                       | MIN                                     | MAX                                  | UNIT |
|---|---------------------------------------|---|--------------------------------------|------|
| Voltage   | V <sub>IN</sub>                       | -0.3                                    | +6.0                                 | V    |
|   | V <sub>EN</sub> and V <sub>VSET</sub> | -0.3                                    | V <sub>IN</sub> + 0.3 <sup>(2)</sup> |      |
|   | V <sub>OUT</sub>                      | -0.3                                    | V <sub>IN</sub> + 0.3                |      |
| Current   | I <sub>OUT</sub>                      | Internally limited                      |                                      |      |
| Output short-circuit duration                         |                                       | Indefinite                              |                                      |      |
| Total continuous power dissipation, P <sub>DISS</sub> |                                       | See <a href="#">Thermal Information</a> |                                      |      |
| Temperature   | Operating junction, T <sub>J</sub>    | -40                                     | 125                                  | °C   |
|   | Storage, T <sub>stg</sub>             | -55                                     | 150                                  | °C   |

- (1) Stresses beyond those listed under *Absolute Maximum Ratings* may cause permanent damage to the device. These are stress ratings only, which do not imply functional operation of the device at these or any other conditions beyond those indicated under *Recommended Operating Conditions*. Exposure to absolute-maximum-rated conditions for extended periods may affect device reliability.
- (2) V<sub>EN</sub> and V<sub>VSET</sub> absolute maximum rating are V<sub>IN</sub> + 0.3V or +6.0V, whichever is less.

### 6.2 ESD Ratings

|                    |                         | VALUE  | UNIT  |
|--------------------|-------------------------|--|-------|
| V <sub>(ESD)</sub> | Electrostatic discharge | Human body model (HBM), per ANSI/ESDA/JEDEC JS-001, all pins <sup>(1)</sup>              | ±2000 |
|                    |                         | Charged device model (CDM), per JEDEC specification JESD22-C101, all pins <sup>(2)</sup> | ±500  |

- (1) JEDEC document JEP155 states that 500-V HBM allows safe manufacturing with a standard ESD control process.
- (2) JEDEC document JEP157 states that 250-V CDM allows safe manufacturing with a standard ESD control process.

### 6.3 Recommended Operating Conditions

over operating junction temperature range (unless otherwise noted)

|                  |                      | MIN | NOM | MAX             | UNIT |
|------------------|----------------------|-----|-----|-----------------|------|
| V <sub>IN</sub>  | Input voltage        | 2.2 |     | 5.5             | V    |
| V <sub>OUT</sub> | Output voltage       | 1.8 |     | 4.2             | V    |
| V <sub>EN</sub>  | Enable voltage       | 0   |     | V <sub>IN</sub> | V    |
| I <sub>OUT</sub> | Output current       | 0   |     | 150             | mA   |
| T <sub>J</sub>   | Junction temperature | -40 |     | 125             | °C   |

### 6.4 Thermal Information

| THERMAL METRIC <sup>(1)</sup> | TPS780xx                                     |        | UNIT |      |
|-------------------------------|--|--------|------|------|
|                               | DDC  | DRV    |      |      |
|                               | 5 PINS                                       | 6 PINS |      |      |
| R <sub>θJA</sub>              | Junction-to-ambient thermal resistance       | 193.0  | 65.9 | °C/W |
| R <sub>θJC(top)</sub>         | Junction-to-case (top) thermal resistance    | 40.1   | 87.3 |      |
| R <sub>θJB</sub>              | Junction-to-board thermal resistance         | 34.3   | 35.4 |      |
| Ψ <sub>JT</sub>               | Junction-to-top characterization parameter   | 0.9    | 1.7  |      |
| Ψ <sub>JB</sub>               | Junction-to-board characterization parameter | 34.1   | 35.8 |      |
| R <sub>θJC(bot)</sub>         | Junction-to-case (bottom) thermal resistance | N/A    | 6.1  |      |

- (1) For more information about traditional and new thermal metrics, see the *IC Package Thermal Metrics* application report, [SPRA953](#).

## 6.5 Electrical Characteristics

Over operating temperature range ( $T_J = -40^\circ\text{C}$  to  $125^\circ\text{C}$ ),  $V_{IN} = V_{OUT(nom)} + 0.5\text{ V}$  or  $2.2\text{ V}$ , whichever is greater;  $I_{OUT} = 100\ \mu\text{A}$ ,  $V_{VSET} = V_{EN} = V_{IN}$ ,  $C_{OUT} = 1.0\ \mu\text{F}$ , fixed or adjustable, unless otherwise noted. Typical values at  $T_J = 25^\circ\text{C}$ .

| PARAMETER                        |  | TEST CONDITIONS   | MIN   | TYP                 | MAX      | UNIT                |       |
|----------------------------------|--|---|---|---------------------|----------|---------------------|-------|
| $V_{IN}$                         | Input voltage range  |   | 2.2   |                     | 5.5      | V                   |       |
| $V_{OUT}^{(1)}$                  | DC output accuracy   | Nominal   | $T_J = 25^\circ\text{C}$ , $V_{SET} = \text{high/low}$  |                     | -2%      | $\pm 1\%$           | +2%   |
|                                  |  | Over $V_{IN}$ , $I_{OUT}$ , temperature   | $V_{OUT(nom)} + 0.5\text{ V} \leq V_{IN} \leq 5.5\text{ V}$ , $0\text{ mA} \leq I_{OUT} \leq 150\text{ mA}$ , $V_{SET} = \text{high/low}$ |                     | -3.0%    | $\pm 2.0\%$         | +3.0% |
| $V_{FB}$                         | Internal reference <sup>(2)</sup><br>(adjustable version only)                 | $T_J = 25^\circ\text{C}$ , $V_{IN} = 4.0\text{ V}$ , $I_{OUT} = 75\text{ mA}$   |   | 1.216               |          | V                   |       |
| $V_{OUT\_RANGE}$                 | Output voltage range <sup>(3) (4)</sup><br>(adjustable version only)           | $V_{IN} = 5.5\text{ V}$ , $I_{OUT} = 100\ \mu\text{A}^{(2)}$  | $V_{FB}$  | 5.25                |          | V                   |       |
| $\Delta V_{OUT}(\Delta V_{IN})$  | Line regulation  | $V_{OUT(nom)} + 0.5\text{ V} \leq V_{IN} \leq 5.5\text{ V}$ , $I_{OUT} = 5\text{ mA}$   | -1%   |                     | +1%      |                     |       |
| $\Delta V_{OUT}(\Delta I_{OUT})$ | Load regulation  | $0\text{ mA} \leq I_{OUT} \leq 150\text{ mA}$   | -2%   |                     | +2%      |                     |       |
| $V_{DO}$                         | Dropout voltage <sup>(5)</sup>   | $V_{IN} = 95\% V_{OUT(nom)}$ , $I_{OUT} = 150\text{ mA}$  |   |                     | 250      | mV                  |       |
| $V_n$                            | Output noise voltage   | $BW = 100\text{ Hz}$ to $100\text{ kHz}$ , $V_{IN} = 2.2\text{ V}$ , $V_{OUT} = 1.2\text{ V}$ , $I_{OUT} = 1\text{ mA}$                                       |   | 86                  |          | $\mu\text{V}_{RMS}$ |       |
| $V_{HI}$                         | $V_{SET}$ high (output $V_{OUT(LO)}$ selected),<br>or EN high (enabled)        |   | 1.2   |                     | $V_{IN}$ | V                   |       |
| $V_{LO}$                         | $V_{SET}$ low (output $V_{OUT(HI)}$ selected),<br>or EN low (disabled)         |   | 0   |                     | 0.4      | V                   |       |
| $I_{CL}$                         | Output current limit   | $V_{OUT} = 0.90 \times V_{OUT(nom)}$  | 150   | 230                 | 400      | mA                  |       |
| $I_{GND}$                        | Ground pin current   | $I_{OUT} = 0\text{ mA}^{(6)}$   |   | 420                 | 800      | nA                  |       |
|                                  |  | $I_{OUT} = 150\text{ mA}$   |   | 5                   |          | $\mu\text{A}$       |       |
| $I_{SHDN}$                       | Shutdown current ( $I_{GND}$ )   | $V_{EN} \leq 0.4\text{ V}$ , $2.2\text{ V} \leq V_{IN} < 5.5\text{ V}$ ,<br>$T_J = -40^\circ\text{C}$ to $100^\circ\text{C}$                                  |   | 18                  | 130      | nA                  |       |
| $I_{VSET}$                       | $V_{SET}$ pin current  | $V_{EN} = V_{VSET} = 5.5\text{ V}$  |   |                     | 70       | nA                  |       |
| $I_{EN}$                         | EN pin current   | $V_{EN} = V_{VSET} = 5.5\text{ V}$  |   |                     | 40       | nA                  |       |
| $I_{FB}$                         | FB pin current <sup>(7)</sup><br>(Adjustable version only)                     | $V_{IN} = 5.5\text{ V}$ , $V_{OUT} = 1.2\text{ V}$ , $I_{OUT} = 100\ \mu\text{A}$   |   |                     | 10       | nA                  |       |
| PSRR                             | Power-supply rejection ratio   | $V_{IN} = 4.3\text{ V}$ ,<br>$V_{OUT} = 3.3\text{ V}$ ,<br>$I_{OUT} = 150\text{ mA}$  | $f = 10\text{ Hz}$  |                     | 40       | dB                  |       |
|                                  |  |   | $f = 100\text{ Hz}$   |                     | 20       |                     |       |
|                                  |  |   | $f = 1\text{ kHz}$  |                     | 15       |                     |       |
| $t_{TR(H \rightarrow L)}$        | $V_{OUT}$ transition time (high-to-low)<br>$V_{OUT} = 97\% \times V_{OUT(HI)}$ | $V_{OUT\_LOW} = 2.2\text{ V}$ , $V_{OUT(HI)} = 3.3\text{ V}$ ,<br>$I_{OUT} = 10\text{ mA}$  |   | 800                 |          | $\mu\text{s}$       |       |
| $t_{TR(L \rightarrow H)}$        | $V_{OUT}$ transition time (low-to-high)<br>$V_{OUT} = 97\% \times V_{OUT(LO)}$ | $V_{OUT\_HIGH} = 3.3\text{ V}$ , $V_{OUT(LO)} = 2.2\text{ V}$ ,<br>$I_{OUT} = 10\text{ mA}$   |   | 800                 |          | $\mu\text{s}$       |       |
| $t_{STR}$                        | Start-up time <sup>(8)</sup>   | $C_{OUT} = 1.0\ \mu\text{F}$ , $V_{OUT} = 10\% V_{OUT(nom)}$ to<br>$V_{OUT} = 90\% V_{OUT(nom)}$  |   | 500                 |          | $\mu\text{s}$       |       |
| $t_{SHDN}$                       | Shutdown time <sup>(9)</sup>   | $I_{OUT} = 150\text{ mA}$ , $C_{OUT} = 1.0\ \mu\text{F}$ ,<br>$V_{OUT} = 2.8\text{ V}$ ,<br>$V_{OUT} = 90\% V_{OUT(nom)}$ to<br>$V_{OUT} = 10\% V_{OUT(nom)}$ |   | 500 <sup>(10)</sup> |          | $\mu\text{s}$       |       |
| $T_{SD}$                         | Thermal shutdown temperature   | Shutdown, temperature increasing  |   | 160                 |          | $^\circ\text{C}$    |       |
|                                  |  | Reset, temperature decreasing   |   | 140                 |          | $^\circ\text{C}$    |       |
| $T_J$                            | Operating junction temperature   |   | -40   |                     | 125      | $^\circ\text{C}$    |       |

- (1) The output voltage for  $V_{SET} = \text{low/high}$  is programmed at the factory.
- (2) Adjustable version only.
- (3) No  $V_{SET}$  pin on the adjustable version.
- (4) No dynamic voltage scaling on the adjustable version.
- (5)  $V_{DO}$  is not measured for devices with  $V_{OUT(nom)} < 2.3\text{ V}$  because minimum  $V_{IN} = 2.2\text{ V}$ .
- (6)  $I_{GND} = 800\text{ nA}$  (max) up to  $100^\circ\text{C}$ .
- (7) The TPS78001 FB pin is tied to  $V_{OUT}$ . Adjustable version only.
- (8) Time from  $V_{EN} = 1.2\text{ V}$  to  $V_{OUT} = 90\% (V_{OUT(nom)})$ .
- (9) Time from  $V_{EN} = 0.4\text{ V}$  to  $V_{OUT} = 10\% (V_{OUT(nom)})$ .
- (10) See [Shutdown](#) for more details.

### 6.6 Typical Characteristics

Over the operating temperature range of  $T_J = -40^\circ\text{C}$  to  $125^\circ\text{C}$ ,  $V_{IN} = V_{OUT(nom)} + 0.5\text{ V}$  or  $2.2\text{ V}$ , whichever is greater;  $I_{OUT} = 100\ \mu\text{A}$ ,  $V_{EN} = V_{VSET} = V_{IN}$ ,  $C_{OUT} = 1\ \mu\text{F}$ , and  $C_{IN} = 1\ \mu\text{F}$ , unless otherwise noted.

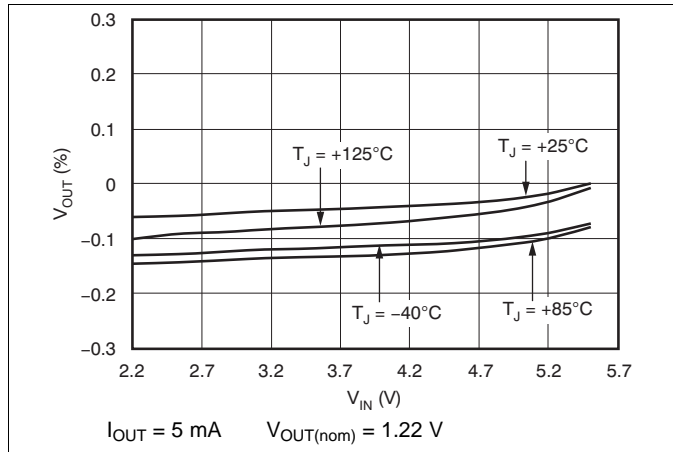


Figure 1. TPS78001 Line Regulation

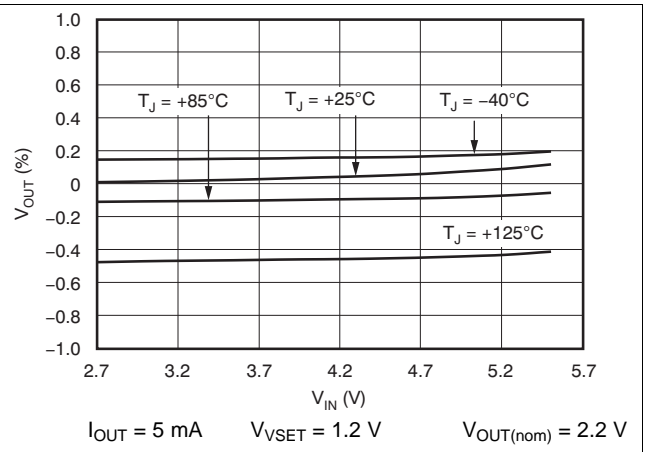


Figure 2. TPS780330220 Line Regulation

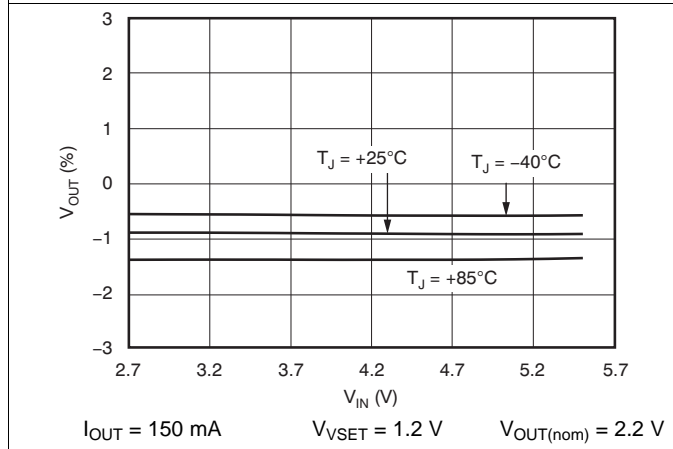


Figure 3. TPS780330220 Line Regulation

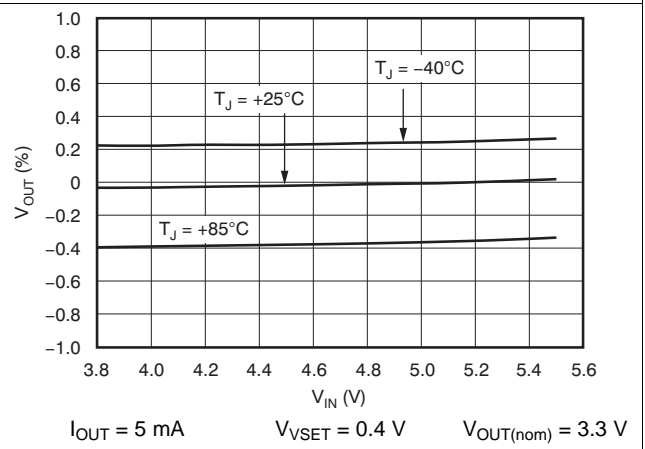


Figure 4. TPS780330220 Line Regulation

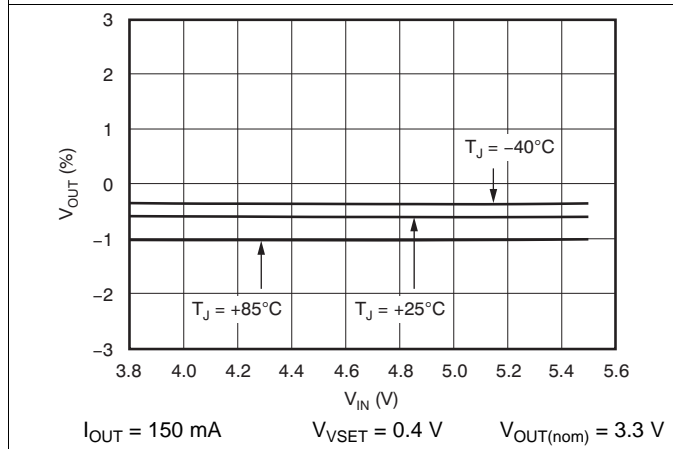


Figure 5. TPS780330220 Line Regulation

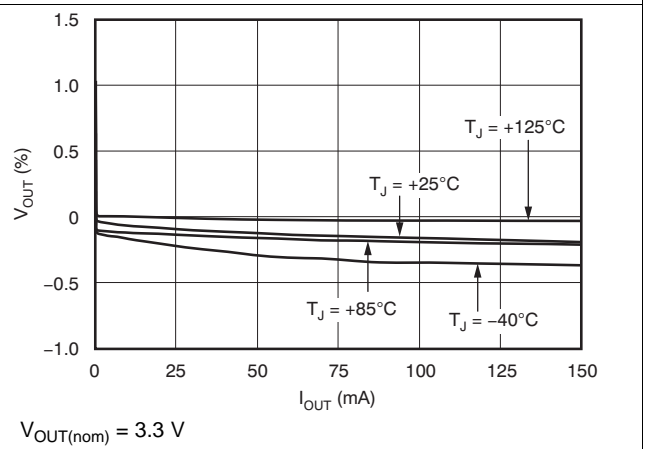


Figure 6. TPS78001 Load Regulation

Typical Characteristics (continued)

Over the operating temperature range of  $T_J = -40^\circ\text{C}$  to  $125^\circ\text{C}$ ,  $V_{IN} = V_{OUT(nom)} + 0.5\text{ V}$  or  $2.2\text{ V}$ , whichever is greater;  $I_{OUT} = 100\ \mu\text{A}$ ,  $V_{EN} = V_{VSET} = V_{IN}$ ,  $C_{OUT} = 1\ \mu\text{F}$ , and  $C_{IN} = 1\ \mu\text{F}$ , unless otherwise noted.

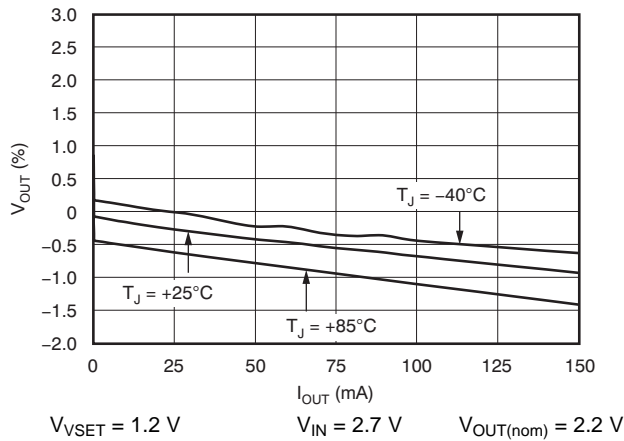


Figure 7. TPS780330220 Load Regulation

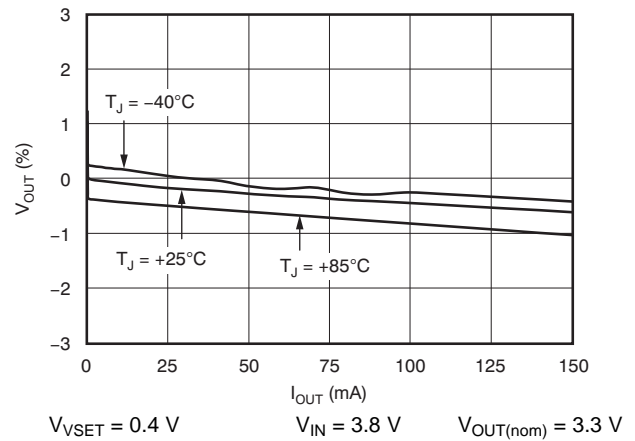


Figure 8. TPS780330220 Load Regulation

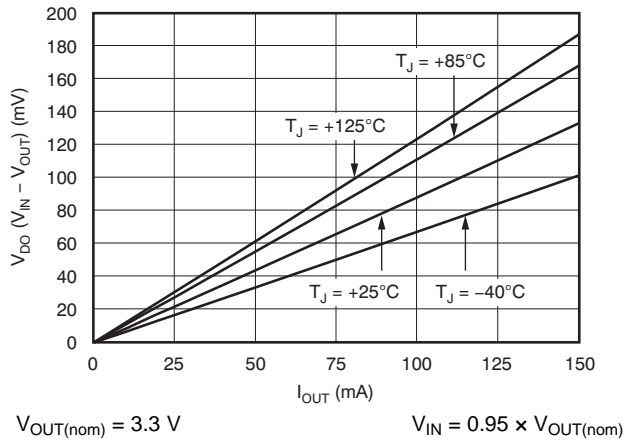


Figure 9. TPS78001 Dropout Voltage vs Output Current

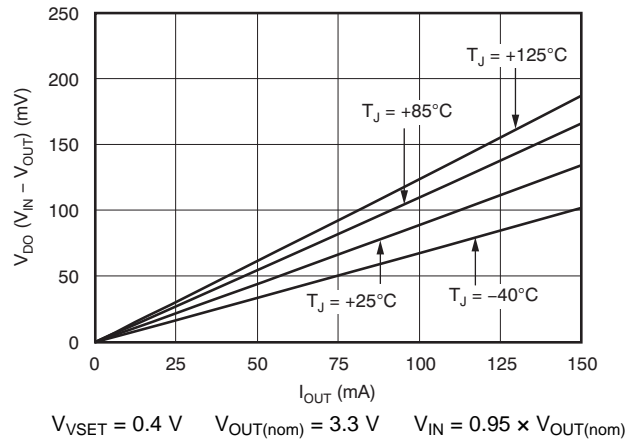


Figure 10. TPS780330220 Dropout Voltage vs Output Current

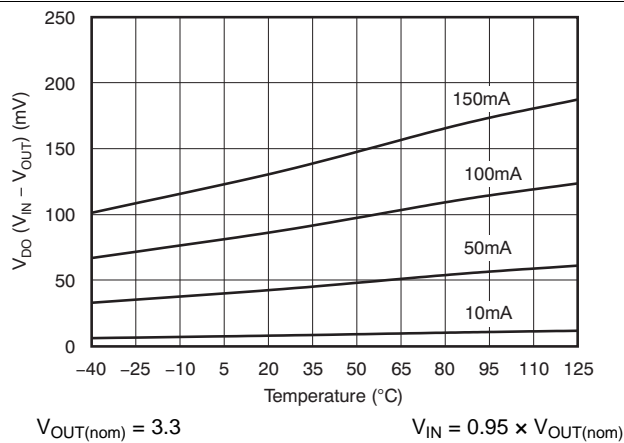


Figure 11. TPS78001 Dropout Voltage vs Temperature

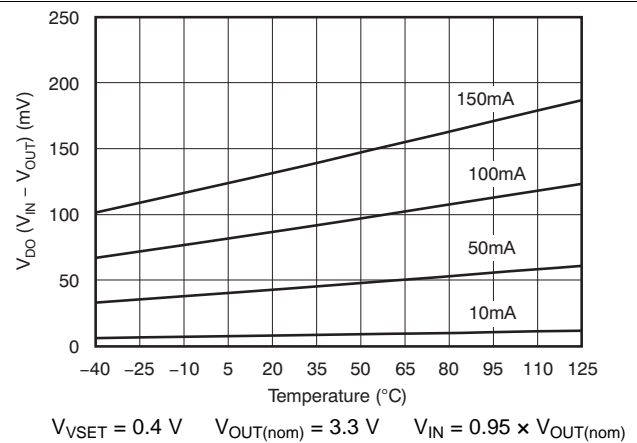
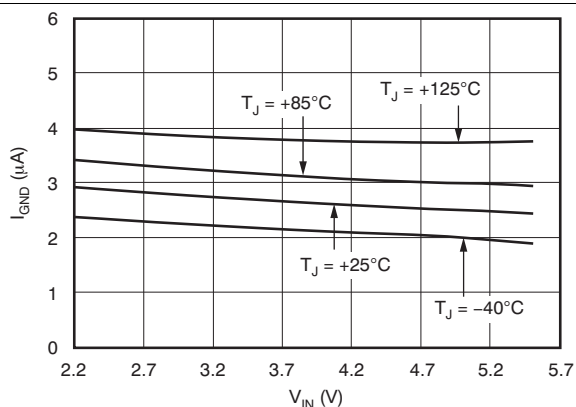


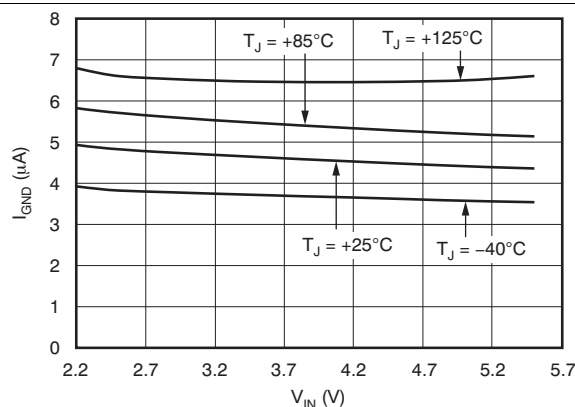
Figure 12. TPS780330220 Dropout Voltage vs Temperature

**Typical Characteristics (continued)**

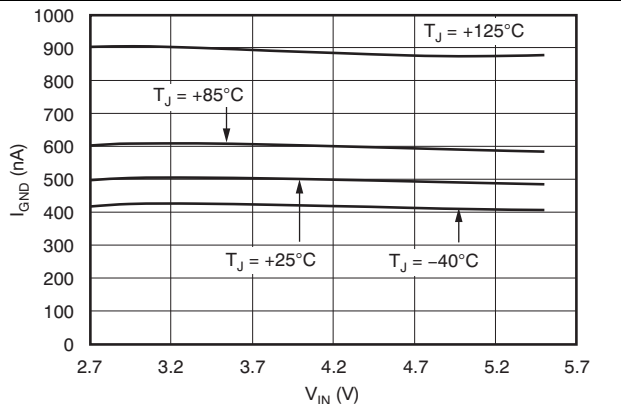
Over the operating temperature range of  $T_J = -40^\circ\text{C}$  to  $125^\circ\text{C}$ ,  $V_{IN} = V_{OUT(nom)} + 0.5\text{ V}$  or  $2.2\text{ V}$ , whichever is greater;  $I_{OUT} = 100\ \mu\text{A}$ ,  $V_{EN} = V_{VSET} = V_{IN}$ ,  $C_{OUT} = 1\ \mu\text{F}$ , and  $C_{IN} = 1\ \mu\text{F}$ , unless otherwise noted.



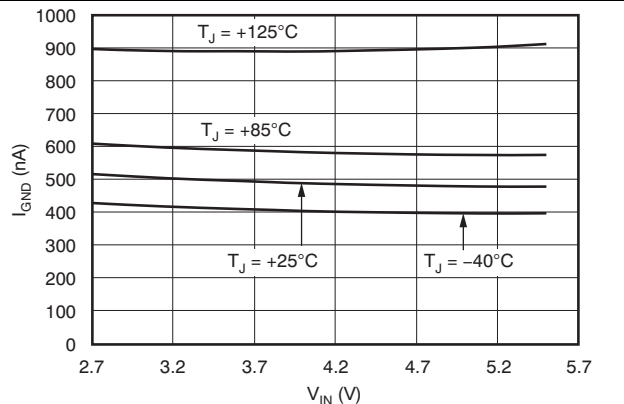
**Figure 13. TPS78001 Ground Pin Current vs Input Voltage**



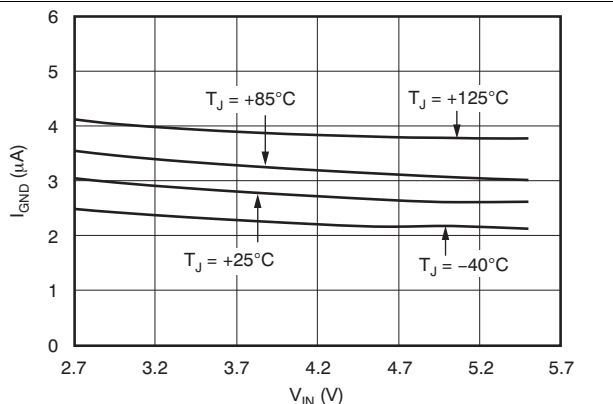
**Figure 14. TPS78001 Ground Pin Current vs Input Voltage**



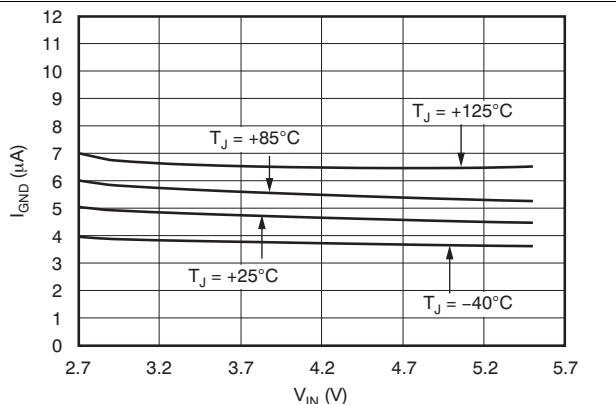
**Figure 15. TPS780330220 Ground Pin Current vs Input Voltage**



**Figure 16. TPS780330220 Ground Pin Current vs Input Voltage**



**Figure 17. TPS780330220 Ground Pin Current vs Input Voltage**



**Figure 18. TPS780330220 Ground Pin Current vs Input Voltage**

Typical Characteristics (continued)

Over the operating temperature range of  $T_J = -40^\circ\text{C}$  to  $125^\circ\text{C}$ ,  $V_{IN} = V_{OUT(nom)} + 0.5\text{ V}$  or  $2.2\text{ V}$ , whichever is greater;  $I_{OUT} = 100\ \mu\text{A}$ ,  $V_{EN} = V_{VSET} = V_{IN}$ ,  $C_{OUT} = 1\ \mu\text{F}$ , and  $C_{IN} = 1\ \mu\text{F}$ , unless otherwise noted.

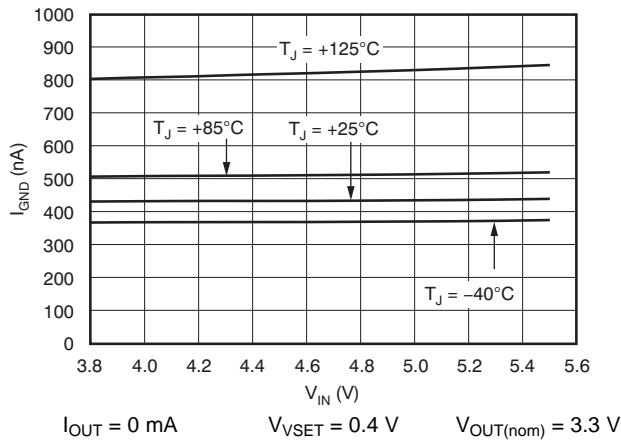


Figure 19. TPS780330220 Ground Pin Current vs Input Voltage

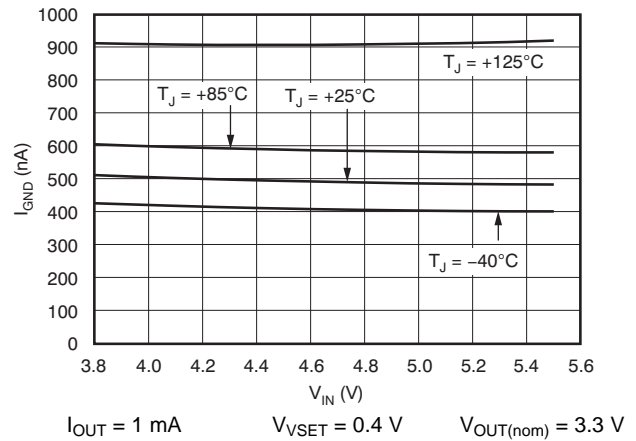


Figure 20. TPS780330220 Ground Pin Current vs Input Voltage

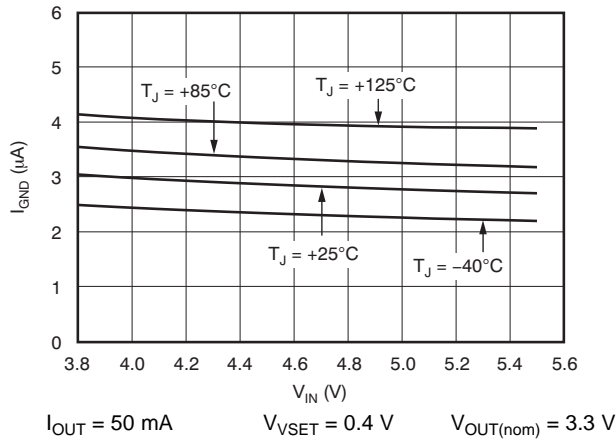


Figure 21. TPS780330220 Ground Pin Current vs Input Voltage

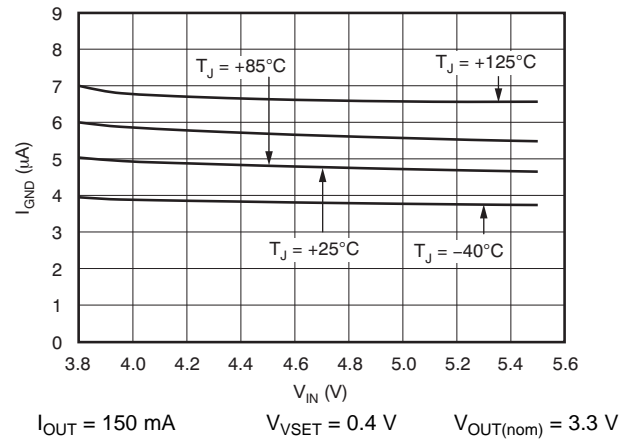


Figure 22. TPS780330220 Ground Pin Current vs Input Voltage

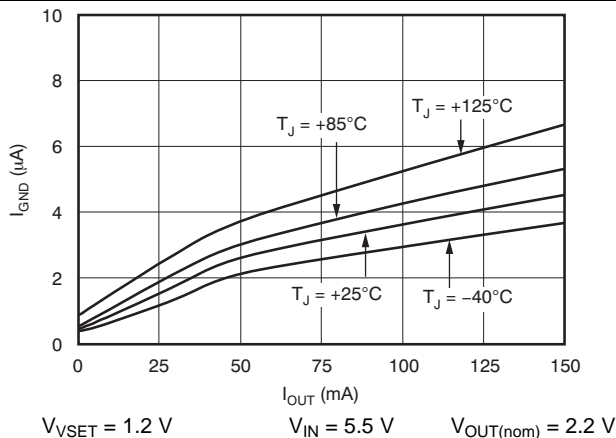


Figure 23. TPS780330220 Ground Pin Current vs Output Current

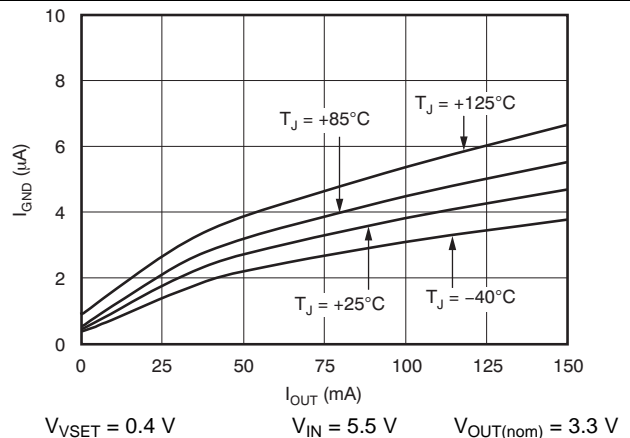


Figure 24. TPS780330220 Ground Pin Current vs Output Current

Typical Characteristics (continued)

Over the operating temperature range of  $T_J = -40^\circ\text{C}$  to  $125^\circ\text{C}$ ,  $V_{IN} = V_{OUT(nom)} + 0.5\text{ V}$  or  $2.2\text{ V}$ , whichever is greater;  $I_{OUT} = 100\ \mu\text{A}$ ,  $V_{EN} = V_{VSET} = V_{IN}$ ,  $C_{OUT} = 1\ \mu\text{F}$ , and  $C_{IN} = 1\ \mu\text{F}$ , unless otherwise noted.

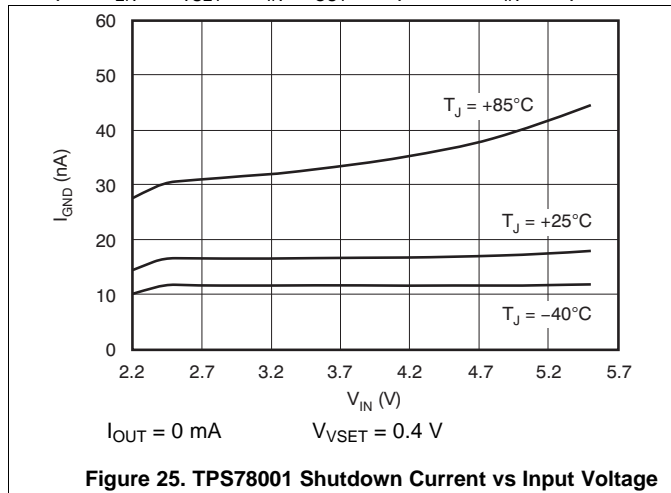


Figure 25. TPS78001 Shutdown Current vs Input Voltage

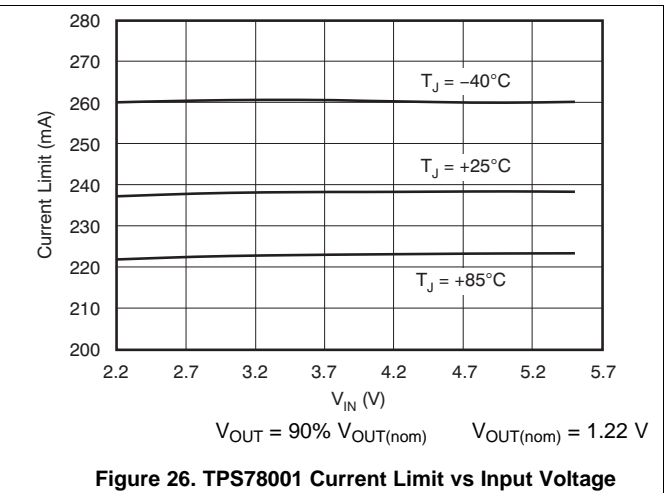


Figure 26. TPS78001 Current Limit vs Input Voltage

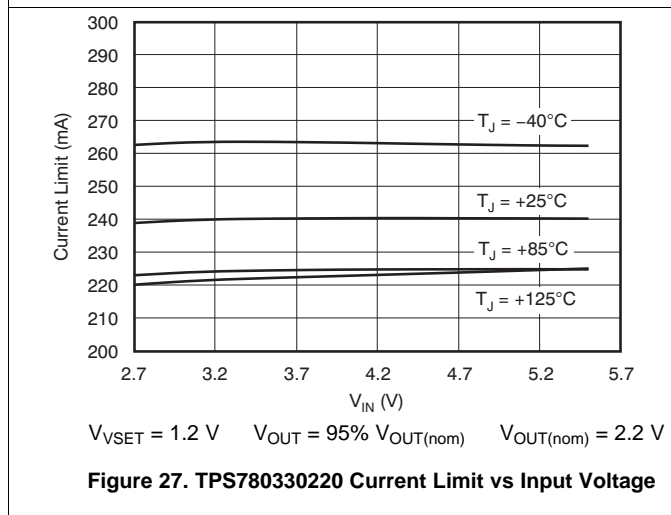


Figure 27. TPS780330220 Current Limit vs Input Voltage

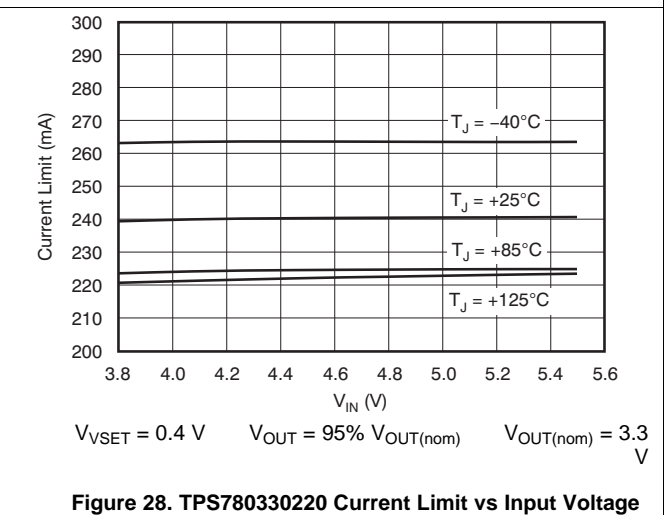


Figure 28. TPS780330220 Current Limit vs Input Voltage

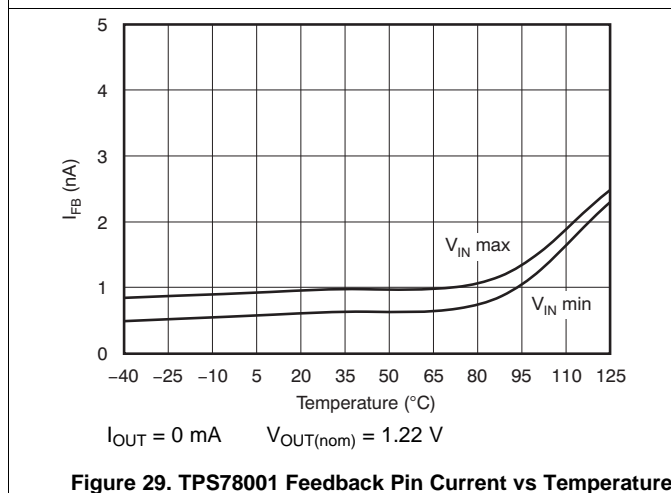


Figure 29. TPS78001 Feedback Pin Current vs Temperature

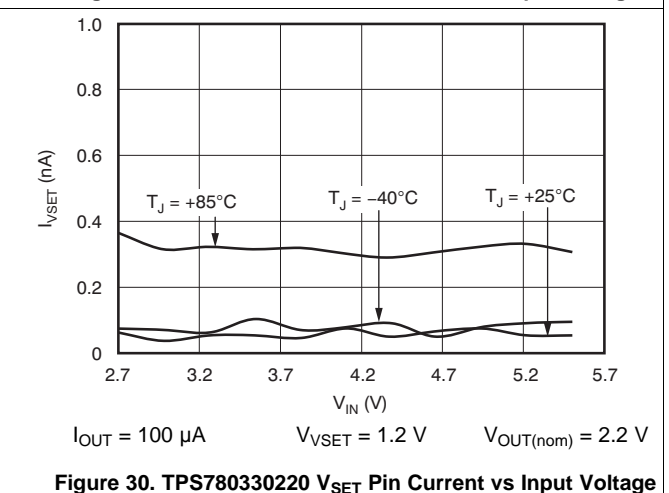


Figure 30. TPS780330220  $V_{SET}$  Pin Current vs Input Voltage

Typical Characteristics (continued)

Over the operating temperature range of  $T_J = -40^{\circ}\text{C}$  to  $125^{\circ}\text{C}$ ,  $V_{IN} = V_{OUT(nom)} + 0.5\text{ V}$  or  $2.2\text{ V}$ , whichever is greater;  $I_{OUT} = 100\ \mu\text{A}$ ,  $V_{EN} = V_{VSET} = V_{IN}$ ,  $C_{OUT} = 1\ \mu\text{F}$ , and  $C_{IN} = 1\ \mu\text{F}$ , unless otherwise noted.

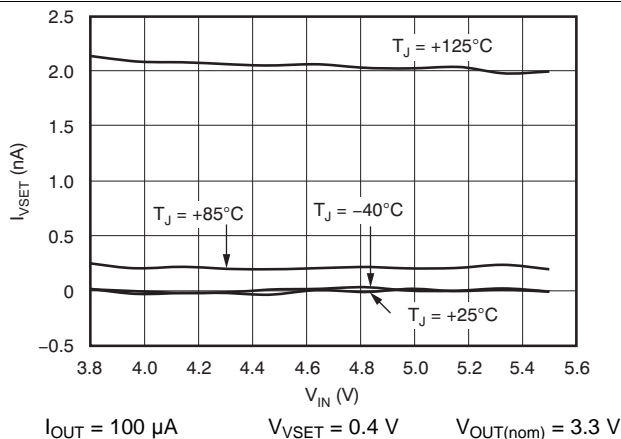


Figure 31. TPS780330220  $V_{SET}$  Pin Current vs Input Voltage

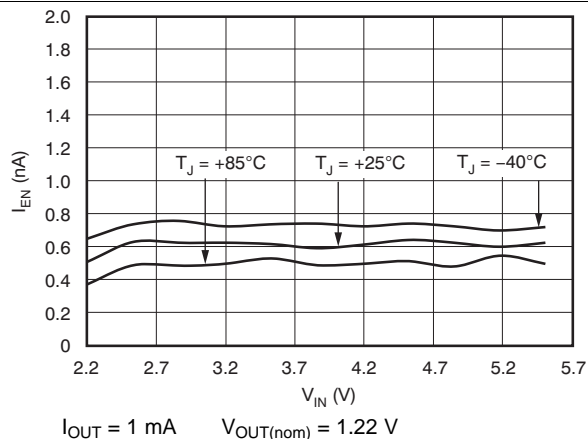


Figure 32. TPS78001 Enable Pin Current vs Input Voltage

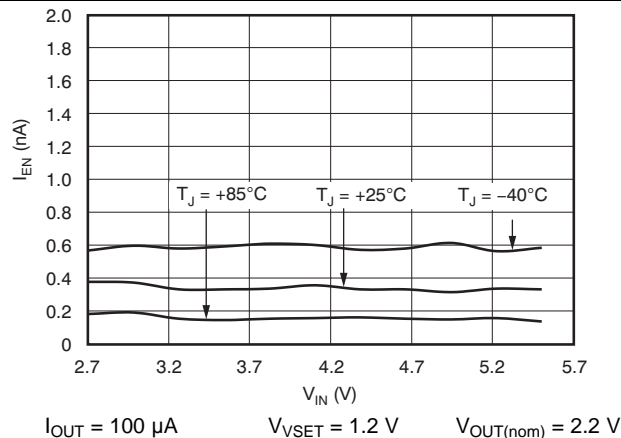


Figure 33. TPS780330220 Enable Pin Current vs Input Voltage

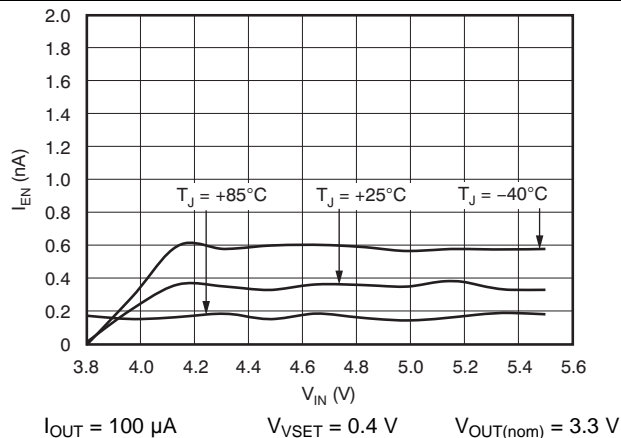


Figure 34. TPS780330220 Enable Pin Current vs Input Voltage

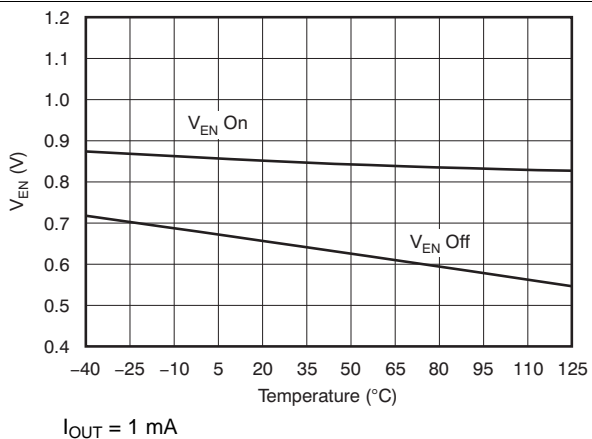


Figure 35. TPS78001 Enable Pin Hysteresis vs Temperature

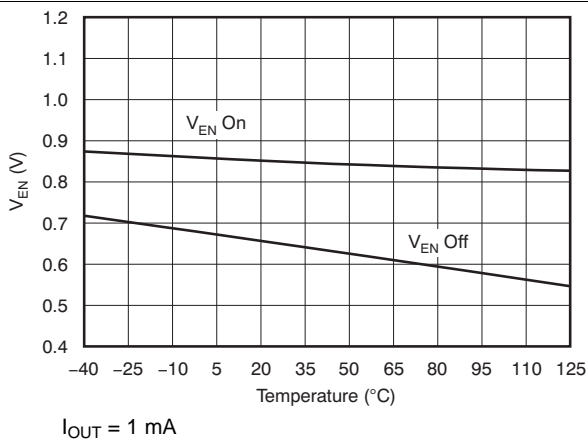
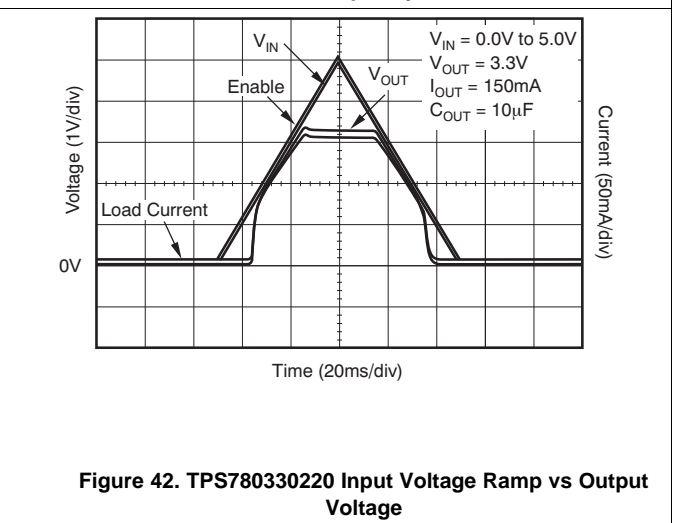
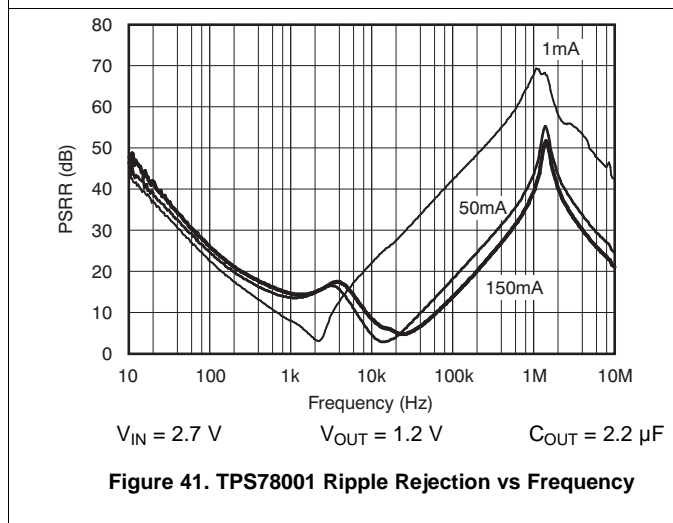
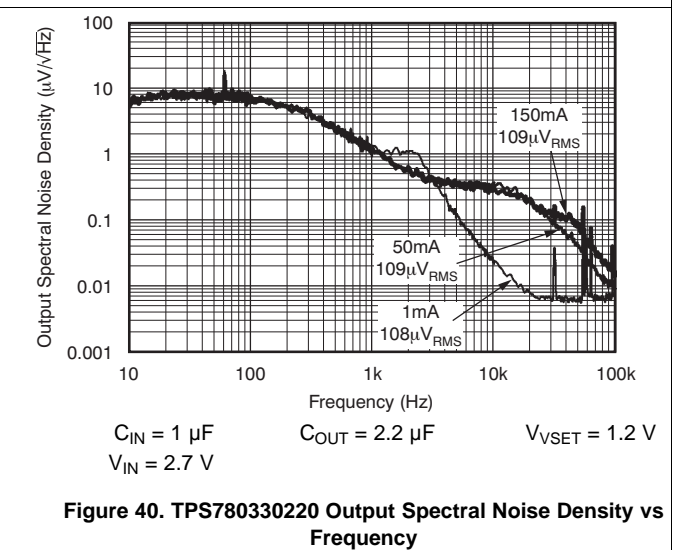
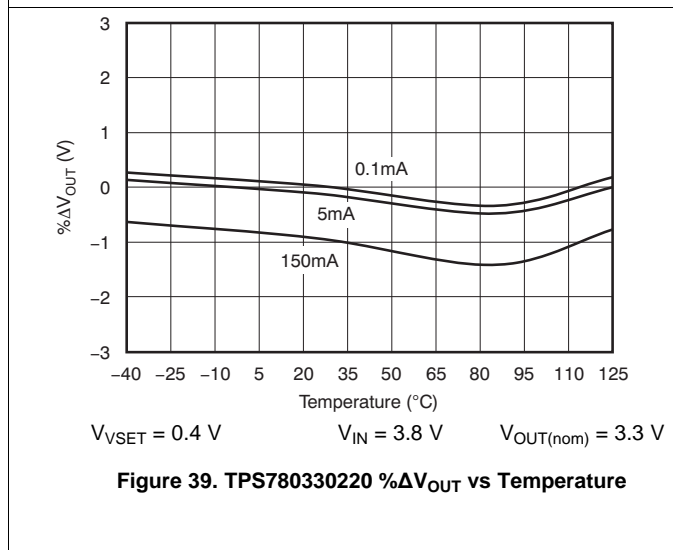
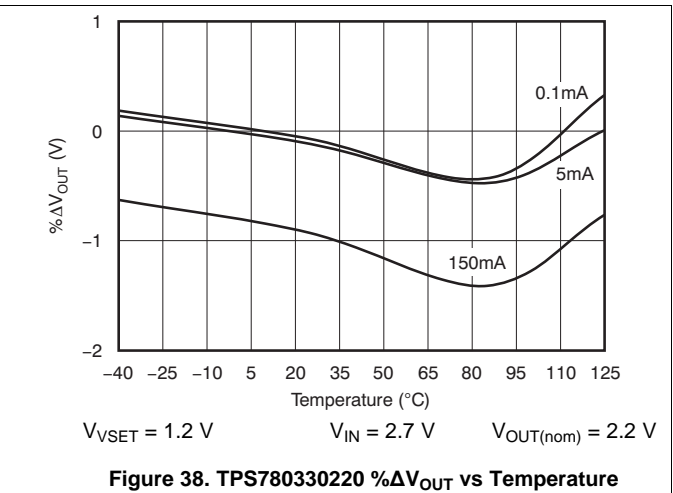
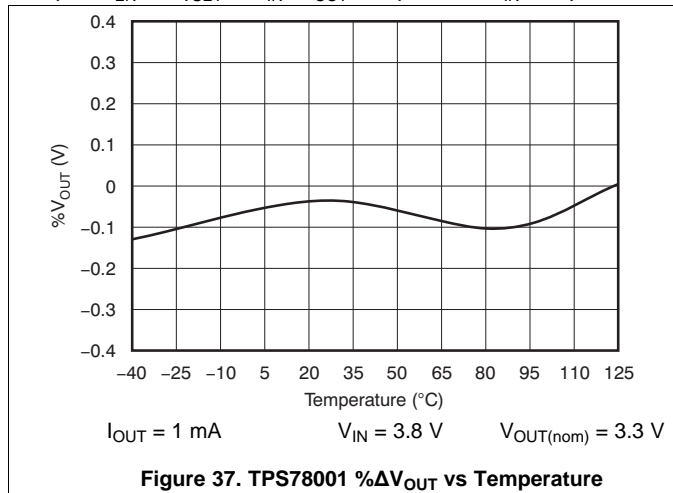


Figure 36. TPS780330220 Enable Pin Hysteresis vs Temperature

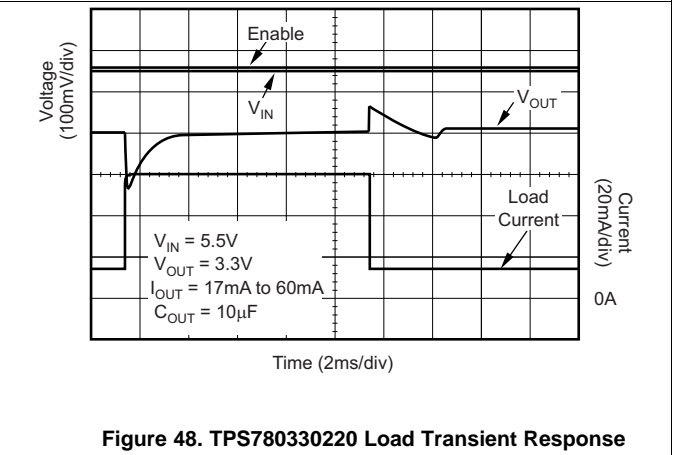
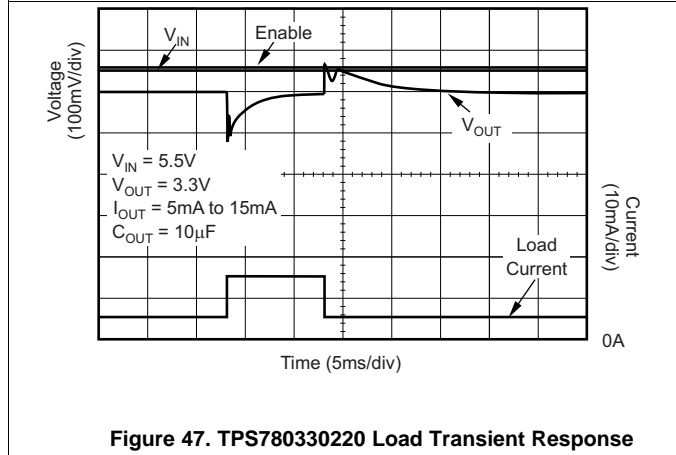
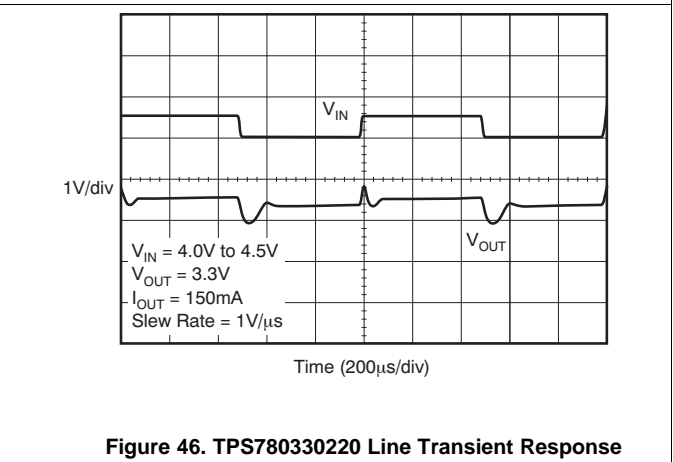
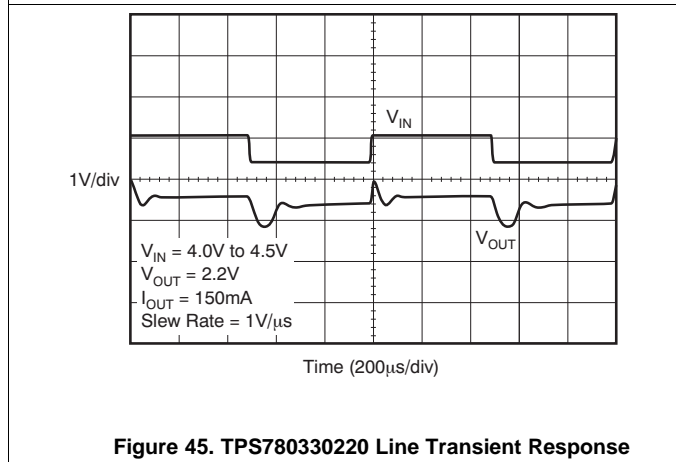
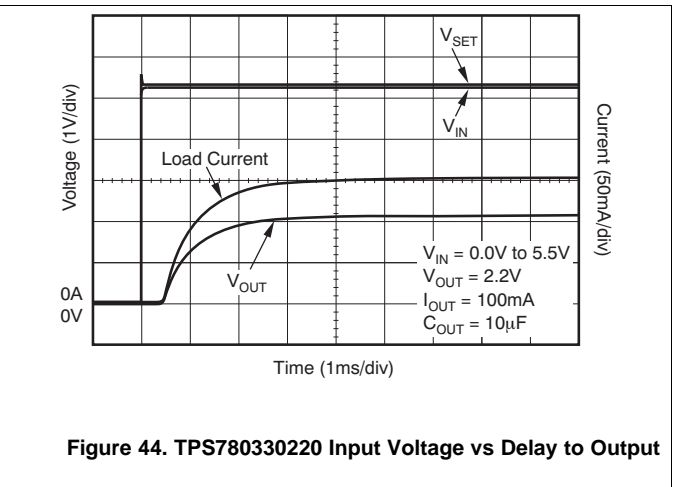
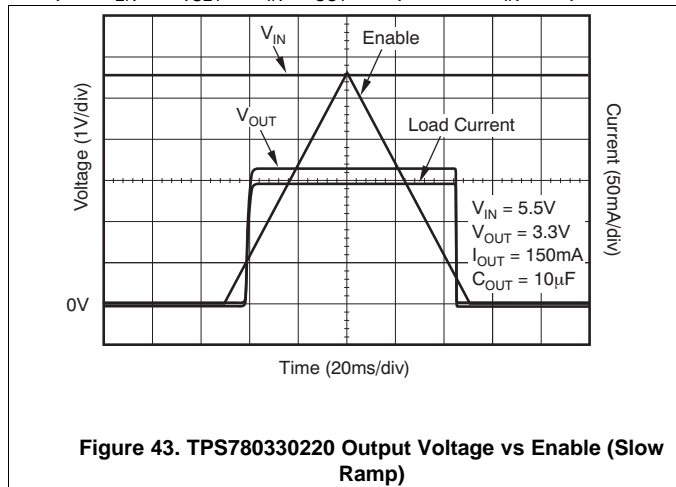
Typical Characteristics (continued)

Over the operating temperature range of  $T_J = -40^{\circ}\text{C}$  to  $125^{\circ}\text{C}$ ,  $V_{IN} = V_{OUT(nom)} + 0.5\text{ V}$  or  $2.2\text{ V}$ , whichever is greater;  $I_{OUT} = 100\ \mu\text{A}$ ,  $V_{EN} = V_{VSET} = V_{IN}$ ,  $C_{OUT} = 1\ \mu\text{F}$ , and  $C_{IN} = 1\ \mu\text{F}$ , unless otherwise noted.



Typical Characteristics (continued)

Over the operating temperature range of  $T_J = -40^{\circ}\text{C}$  to  $125^{\circ}\text{C}$ ,  $V_{IN} = V_{OUT(nom)} + 0.5\text{ V}$  or  $2.2\text{ V}$ , whichever is greater;  $I_{OUT} = 100\ \mu\text{A}$ ,  $V_{EN} = V_{VSET} = V_{IN}$ ,  $C_{OUT} = 1\ \mu\text{F}$ , and  $C_{IN} = 1\ \mu\text{F}$ , unless otherwise noted.



Typical Characteristics (continued)

Over the operating temperature range of  $T_J = -40^{\circ}\text{C}$  to  $125^{\circ}\text{C}$ ,  $V_{IN} = V_{OUT(nom)} + 0.5\text{ V}$  or  $2.2\text{ V}$ , whichever is greater;  $I_{OUT} = 100\ \mu\text{A}$ ,  $V_{EN} = V_{VSET} = V_{IN}$ ,  $C_{OUT} = 1\ \mu\text{F}$ , and  $C_{IN} = 1\ \mu\text{F}$ , unless otherwise noted.

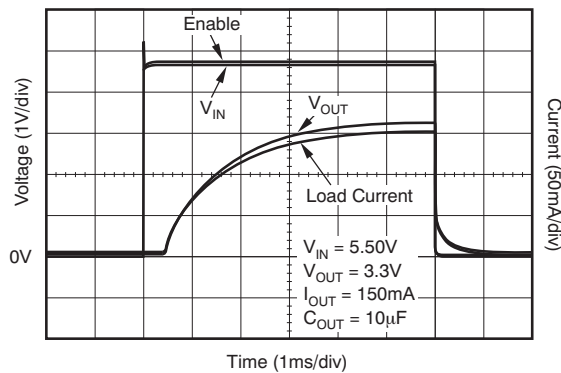


Figure 49. TPS780330220 Enable Pin vs Output Voltage Response and Output Current

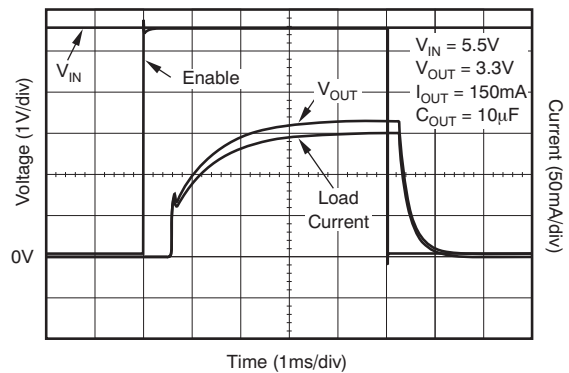


Figure 50. TPS780330220 Enable Pin vs Output Voltage Delay

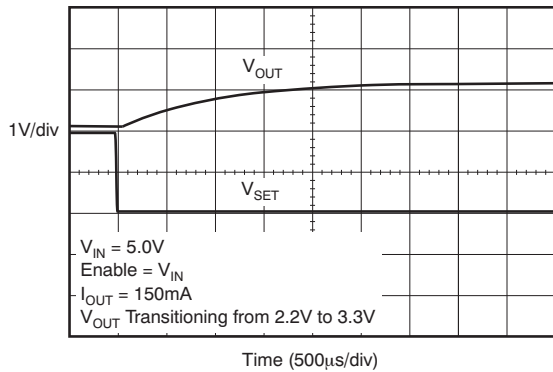


Figure 51. TPS780330220 VSET Pin Toggle

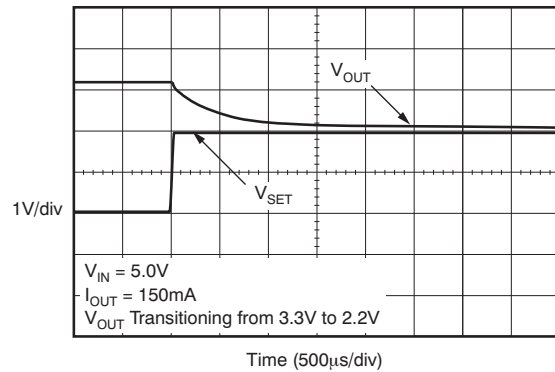


Figure 52. TPS780330220 VSET Pin Toggle

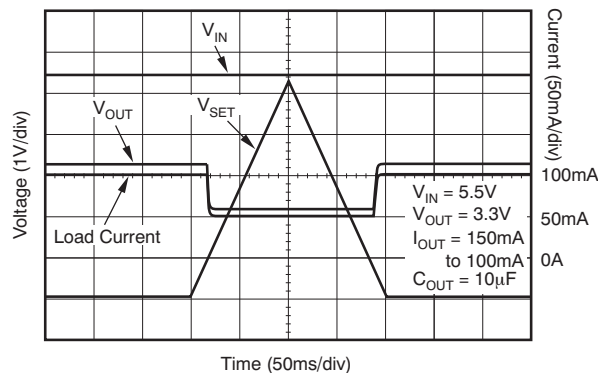


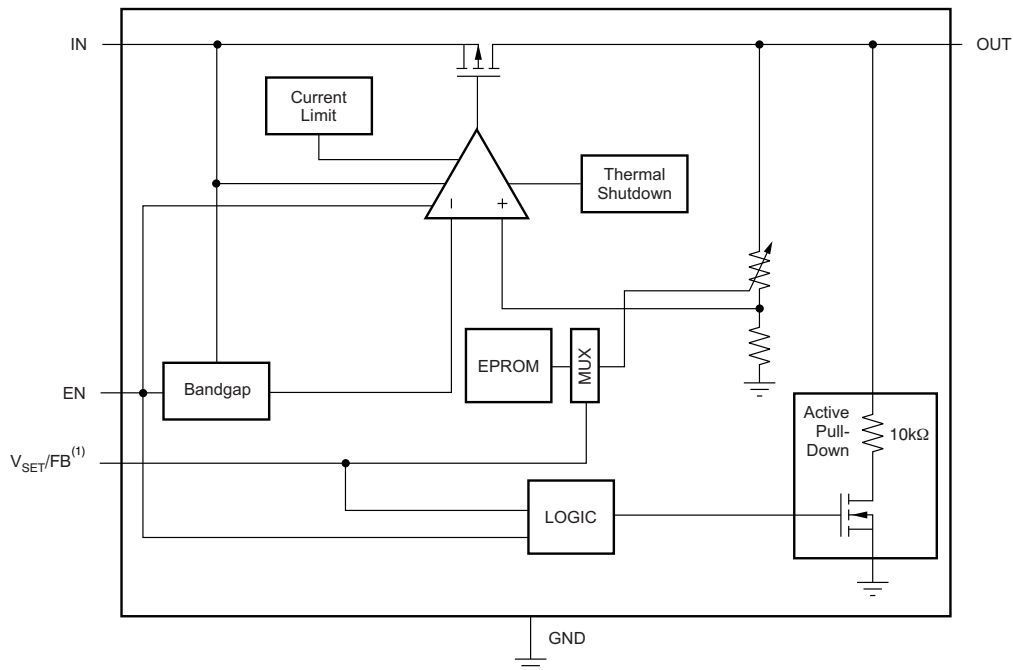
Figure 53. TPS780330220 VSET Pin Toggle (Slow Ramp)

## 7 Detailed Description

### 7.1 Overview

The TPS780 family of low-dropout regulators (LDOs) is designed specifically for battery-powered applications where ultralow quiescent current is a critical parameter. The absence of pulldown circuitry at the output of the LDO provides the flexibility to use the regulator output capacitor as a temporary backup power supply for a short period of time (for example, during battery replacement). The TPS780 family is compatible with the TI MSP430 and other similar products. The enable pin (EN) is compatible with standard CMOS logic. This LDO family is stable with any output capacitor greater than 1.0  $\mu\text{F}$ .

### 7.2 Functional Block Diagram



(1) Feedback pin (FB) for adjustable versions;  $V_{\text{SET}}$  for fixed voltage versions.

### 7.3 Feature Description

#### 7.3.1 Internal Current Limit

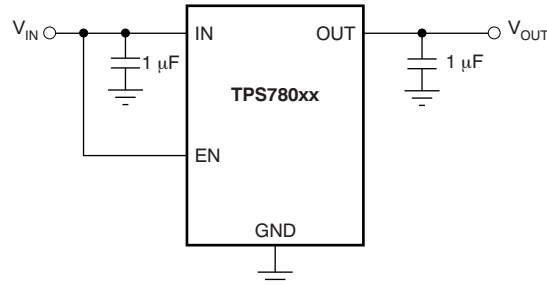
The TPS780 is internally current-limited to protect the regulator during fault conditions. During current limit, the output sources a fixed amount of current that is largely independent of output voltage. For reliable operation, do not operate the device in a current-limit state for extended periods of time.

The PMOS pass element in the TPS780 family has a built-in body diode that conducts current when the voltage at OUT exceeds the voltage at IN. This current is not limited, so if extended reverse voltage operation is anticipated, external limiting to 5% of rated output current may be appropriate.

## Feature Description (continued)

### 7.3.2 Shutdown

The enable pin (EN) is active high and is compatible with standard and low-voltage CMOS levels. When shutdown capability is not required, connect EN to the IN pin, as shown in [Figure 54](#).



**Figure 54. Circuit Showing EN Tied High When Shutdown Capability is not Required**

### 7.3.3 Active $V_{OUT}$ Pulldown

In the TPS780 series, the active pulldown discharges  $V_{OUT}$  when the device is off. However, the input voltage must be greater than 2.2 V for the active pulldown to work.

## 7.4 Device Functional Modes

[Table 1](#) provides a quick comparison between the normal, dropout, and disabled modes of operation.

**Table 1. Device Functional Mode Comparison**

| OPERATING MODE | PARAMETER                        |                       |                    |                |
|----------------|----------------------------------|-----------------------|--------------------|----------------|
|                | $V_{IN}$                         | EN                    | $I_{OUT}$          | $T_J$          |
| Normal         | $V_{IN} > V_{OUT(nom)} + V_{DO}$ | $V_{EN} > V_{EN(HI)}$ | $I_{OUT} < I_{CL}$ | $T_J < T_{SD}$ |
| Dropout        | $V_{IN} < V_{OUT(nom)} + V_{DO}$ | $V_{EN} > V_{EN(HI)}$ | $I_{OUT} < I_{CL}$ | $T_J < T_{SD}$ |
| Disabled       | —                                | $V_{EN} < V_{EN(LO)}$ | —                  | $T_J > T_{SD}$ |

### 7.4.1 Normal Operation

The device regulates to the nominal output voltage under the following conditions:

- The input voltage is greater than the nominal output voltage plus the dropout voltage ( $V_{OUT(nom)} + V_{DO}$ ).
- The enable voltage has previously exceeded the enable rising threshold voltage ( $V_{EN} > V_{EN(HI)}$ ) and not yet decreased below the enable falling threshold.
- The output current is less than the current limit ( $I_{OUT} < I_{CL}$ ).
- The device junction temperature is less than the thermal shutdown temperature ( $T_J < T_{SD}$ ).

### 7.4.2 Dropout Operation

If the input voltage is lower than the nominal output voltage plus the specified dropout voltage, but all other conditions are met for normal operation, the device operates in dropout mode. In this mode, the output voltage tracks the input voltage. During this mode, the transient performance of the device becomes significantly degraded because the pass device is in a triode state and no longer controls the current through the LDO. Line or load transients in dropout can result in large output-voltage deviations.

### 7.4.3 Disabled

The device is disabled under the following conditions:

- The enable voltage is less than the enable falling threshold voltage ( $V_{EN} < V_{EN(LO)}$ ) or has not yet exceeded the enable rising threshold.
- The device junction temperature is greater than the thermal shutdown temperature ( $T_J > T_{SD}$ ).

## 7.5 Programming

### 7.5.1 Programming the TPS78001 Adjustable LDO Regulator

The output voltage of the TPS78001 adjustable regulator is programmed using an external resistor divider as shown in [Figure 55](#). The output voltage operating range is 1.2 V to 5.1 V, and is calculated using [Equation 1](#):

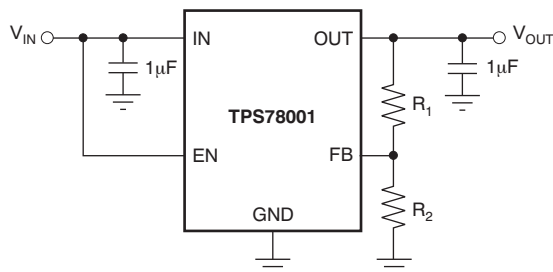
$$V_{OUT} = V_{FB} \times \left(1 + \frac{R_1}{R_2}\right)$$

where

- $V_{FB} = 1.216$  V typical (the internal reference voltage) (1)

Resistors  $R_1$  and  $R_2$  should be chosen for approximately 1.2- $\mu$ A divider current. Lower value resistors can be used for improved noise performance, but the solution consumes more power. Higher resistor values should be avoided because leakage current into/out of FB across  $R_1/R_2$  creates an offset voltage that artificially increases/decreases the feedback voltage and thus erroneously decreases/increases  $V_{OUT}$ . [Table 2](#) lists several common output voltages and resistor values. The recommended design procedure is to choose  $R_2 = 1$  M $\Omega$  to set the divider current at 1.2  $\mu$ A, and then calculate  $R_1$  using [Equation 2](#):

$$R_1 = \left(\frac{V_{OUT}}{V_{FB}} - 1\right) \times R_2$$
 (2)



$$V_{OUT} = V_{FB} \times \left(1 + \frac{R_1}{R_2}\right)$$

**Figure 55. TPS78001 Adjustable LDO Regulator Programming**

**Table 2. Output Voltage Programming Guide**

| OUTPUT VOLTAGE | $R_1$            | $R_2$        |
|----------------|------------------|--------------|
| 1.8 V          | 0.499 M $\Omega$ | 1 M $\Omega$ |
| 2.8 V          | 1.33 M $\Omega$  | 1 M $\Omega$ |
| 5.0 V          | 3.16 M $\Omega$  | 1 M $\Omega$ |

## 8 Application and Implementation

### NOTE

Information in the following applications sections is not part of the TI component specification, and TI does not warrant its accuracy or completeness. TI's customers are responsible for determining suitability of components for their purposes. Customers should validate and test their design implementation to confirm system functionality.

### 8.1 Application Information

The TPS780 family of LDOs is factory-programmable to have a fixed output. Note that during start-up or steady-state conditions, do not allow the EN pin voltage to exceed  $V_{IN} + 0.3\text{ V}$ .

### 8.2 Typical Application

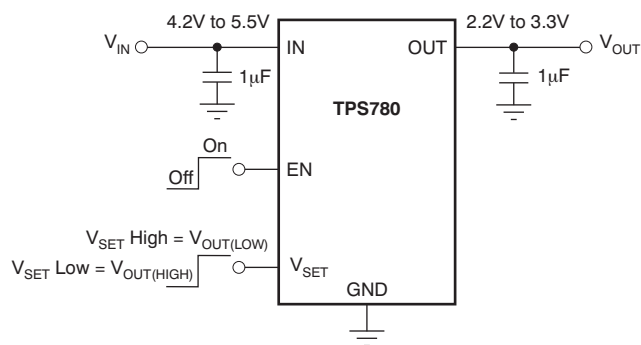


Figure 56. Typical Application Circuit

#### 8.2.1 Design Requirements

Table 3. Design Parameters

| PARAMETER              | DESIGN REQUIREMENT |
|------------------------|--------------------|
| Input Voltage          | 5 V                |
| Output Voltage High    | 3.6 V              |
| Output Voltage Low     | 2 V                |
| Maximum Output Current | 100 mA             |

#### 8.2.2 Detailed Design Procedure

Select the desired device based on the output voltage.

Provide an input supply with adequate headroom to account for dropout and output current to account for the GND pin current, and power the load. Select input and output capacitors based on application needs.

##### 8.2.2.1 Input and Output Capacitor Requirements

Although an input capacitor is not required for stability, it is good analog design practice to connect a 0.1- $\mu\text{F}$  to 1.0- $\mu\text{F}$  low equivalent series resistance (ESR) capacitor across the input supply near the regulator. This capacitor counteracts reactive input sources and improves transient response, noise rejection, and ripple rejection. A higher-value capacitor may be necessary if large, fast rise-time load transients are anticipated, or if the device is not located near the power source. If source impedance is not sufficiently low, a 0.1- $\mu\text{F}$  input capacitor may be necessary to ensure stability.

The TPS780 family is designed to be stable with standard ceramic capacitors with values of 1.0  $\mu\text{F}$  or larger at the output. X5R- and X7R-type capacitors are best because they have minimal variation in value and ESR over temperature. Maximum ESR should be less than 1.0  $\Omega$ . With tolerance and dc bias effects, the minimum capacitance to ensure stability is 1  $\mu\text{F}$ .

### 8.2.2.2 Dropout Voltage

The TPS780 family uses a PMOS pass transistor to achieve low dropout. When  $(V_{IN} - V_{OUT})$  is less than the dropout voltage ( $V_{DO}$ ), the PMOS pass device is in the linear region of operation and the input-to-output resistance is the  $R_{DS(on)}$  of the PMOS pass element.  $V_{DO}$  approximately scales with output current because the PMOS device behaves like a resistor in dropout. As with any linear regulator, PSRR and transient response are degraded as  $(V_{IN} - V_{OUT})$  approaches dropout. This effect is shown in *Typical Characteristics*. Refer to application report [SLVA207, Understanding LDO Dropout](#), available from [www.ti.com](#).

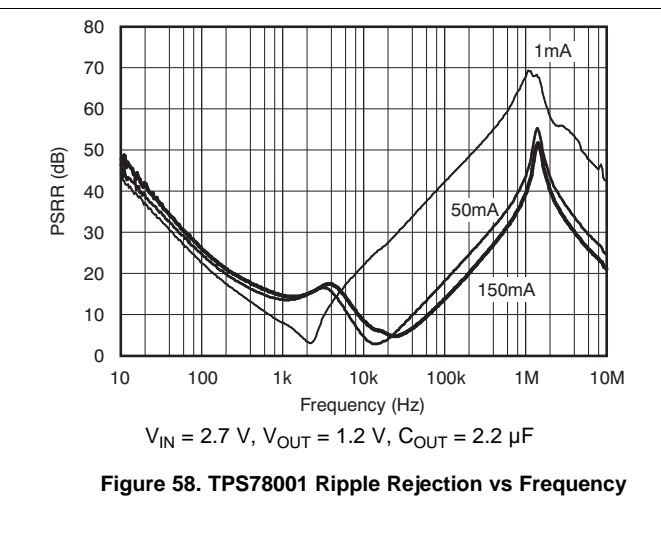
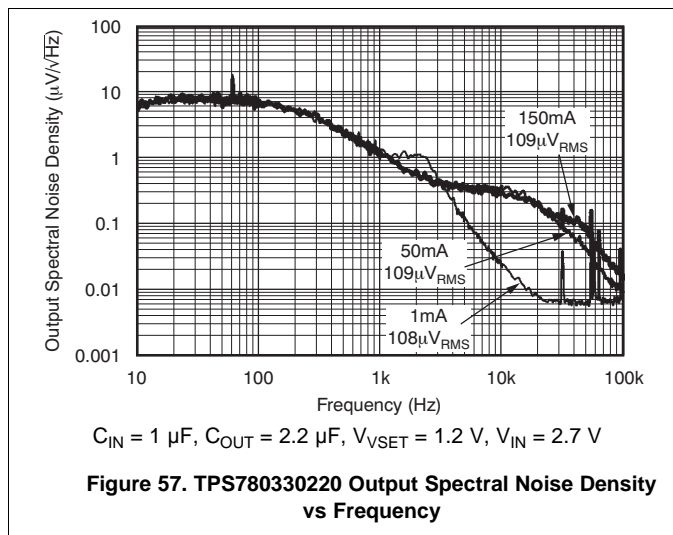
### 8.2.2.3 Transient Response

As with any regulator, increasing the size of the output capacitor reduces overshoot and undershoot magnitude but increases duration of the transient response. For more information, see [Figure 48](#).

### 8.2.2.4 Minimum Load

The TPS780 family is stable with no output load. Traditional PMOS LDO regulators suffer from lower loop gain at very light output loads. The TPS780 employs an innovative, low-current circuit under very light or no-load conditions, resulting in improved output voltage regulation performance down to zero output current. See for the load transient response.

## 8.2.3 Application Curves



## 8.3 Do's and Don'ts

Place at least one 1- $\mu\text{F}$  ceramic capacitor as close as possible to the OUT pin of the regulator.

Do not place the output capacitor more than 10 mm away from the regulator.

Connect a 0.1- $\mu\text{F}$  to 1.0- $\mu\text{F}$  low equivalent series resistance (ESR) capacitor across the IN pin and GND of the regulator.

Do not exceed the absolute maximum ratings.

## 9 Power Supply Recommendations

For best performance, connect a low-output impedance power supply directly to the IN pin of the TPS780. Inductive impedances between the input supply and the IN pin create significant voltage excursions at the IN pin during start-up or load transient events. If inductive impedances are unavoidable, use an input capacitor.

### 9.1 Powering the MSP430 Microcontroller

Several versions of the TPS780 are ideal for powering the [MSP430 microcontroller](#). [Table 4](#) shows potential applications of some voltage versions.

**Table 4. Typical MSP430 Applications**

| DEVICE       | V <sub>OUT(HI)</sub><br>(TYP) | V <sub>OUT(LO)</sub><br>(TYP) | APPLICATION  |
|--------------|-------------------------------|-------------------------------|--|
| TPS780360200 | 3.6 V                         | 2.0 V                         | V <sub>OUT, MIN</sub> > 1.800 V required by many MSP430s. Allows lowest power consumption operation. |
| TPS780360220 | 3.6 V                         | 2.2 V                         | V <sub>OUT, MIN</sub> > 2.200 V required by some MSP430s FLASH operation.                            |
| TPS780360300 | 3.6 V                         | 3.0 V                         | V <sub>OUT, MIN</sub> > 2.700 V required by some MSP430s FLASH operation.                            |
| TPS780360220 | 3.6 V                         | 2.2 V                         | V <sub>OUT, MIN</sub> < 3.600 V required by some MSP430s. Allows highest speed operation.            |

The TPS780 family offers many output voltage versions to allow designers to optimize the supply voltage for the processing speed required of the MSP430. This flexible architecture minimizes the supply current consumed by the particular MSP430 application. The MSP430 total system power can be reduced by substituting the 500-nA I<sub>Q</sub> TPS780 series LDO in place of an existing ultralow I<sub>Q</sub> LDO (typical best case = 1 μA). Additionally, DVS allows for increasing the clock speed in active mode (MSP430 V<sub>CC</sub> = 3.6 V). The 3.6-V V<sub>CC</sub> reduces the MSP430 time in active mode. In low-power mode, MSP430 system power can be further reduced by lowering the MSP430 V<sub>CC</sub> to 2.2 V in sleep mode.

Key features of the TPS780 series are an ultralow quiescent current (500 nA), DVS, and miniaturized packaging. The TPS780 family are available in SON-6 and TSOT-23 packages. [Figure 59](#) shows a typical MSP430 circuit powered by an LDO without DVS. [Figure 60](#) is an MSP430 circuit using a TPS780 LDO that incorporates an integrated DVS, thus simplifying the circuit design. In a circuit without DVS, as [Figure 59](#) illustrates, V<sub>CC</sub> is always at 3.0 V. When the MSP430 goes into sleep mode, V<sub>CC</sub> remains at 3.0 V; if DVS is applied, V<sub>CC</sub> could be reduced in sleep mode. In [Figure 60](#), the TPS780 LDO with integrated DVS maintains 3.6-V V<sub>CC</sub> until a logic high signal from the MSP430 forces V<sub>OUT</sub> to level shift V<sub>OUT</sub> from 3.6 V down to 2.2 V, thus reducing power in sleep mode.

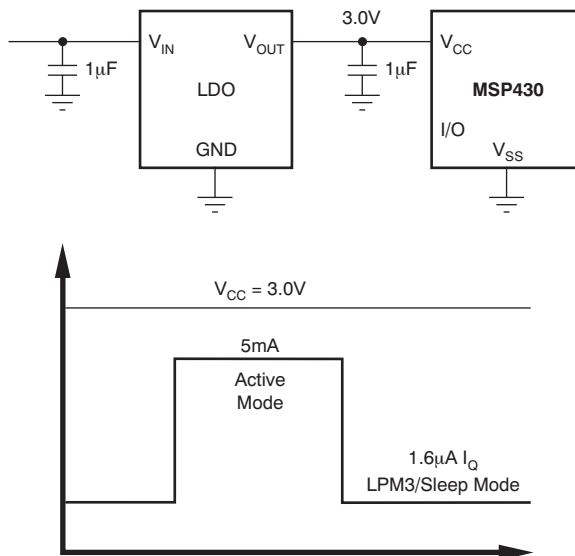


Figure 59. Typical LDO Without DVS

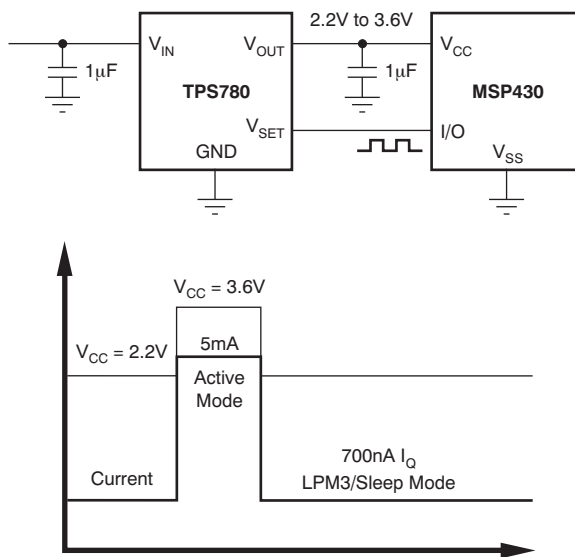


Figure 60. TPS780 With Integrated DVS

The other benefit of DVS is that it allows a higher  $V_{CC}$  voltage on the MSP430, increasing the clock speed and reducing the active mode dwell time.

The total system power savings is outlined in [Table 5](#), [Table 6](#), and [Table 7](#). In [Table 5](#), the MSP430 power savings are calculated for various MSP430 devices using a TPS780 series with integrated DVS versus a standard ultralow IQ LDO without DVS. In [Table 6](#), the TPS780 series quiescent power is calculated for a  $V_{IN}$  of 4.2 V, with the same  $V_{IN}$  used for the ultralow IQ LDO. Quiescent power dissipation in an LDO is the  $V_{IN}$  voltage times the ground current, because zero load is applied. After the dissipation power is calculated for the individual LDOs in [Table 6](#), simple subtraction outputs the LDO power savings using the TPS780 series. [Table 7](#) calculates the total system power savings using a TPS780 series LDO in place of an ultralow IQ 1.2- $\mu$ A LDO in an MSP430F1121 application. There are many different versions of the MSP430. Actual power savings vary depending on the selected device.

**Table 5. DDV MSP430 Power Savings With the TPS780 Series on Selected MSP430 Devices**

| DEVICE      | LPM3 AT $V_{CC} = 3\text{ V}$ , $I_Q$<br>( $\mu\text{A}$ ) | LPM3 AT<br>$V_{CC} = 3.0\text{ V} \times I_Q$<br>( $\mu\text{W}$ ) | LPM3 AT<br>$V_{CC} = 2.2\text{ V}$ , $I_Q$<br>( $\mu\text{A}$ ) | LPM3 AT<br>$V_{CC} = 2.2\text{ V} \times I_Q$<br>( $\mu\text{W}$ ) | $\mu\text{W}$ SAVINGS<br>USING ONLY DVS |
|-------------|--|--|---|--|---|
| MSP430F1121 | 1.6  | 4.8  | 0.7   | 1.5  | 3.3                                     |
| MSP430F149  | 1.6  | 4.8  | 0.9   | 2.0  | 2.8                                     |
| MSP430F2131 | 0.9  | 2.7  | 0.7   | 1.5  | 1.2                                     |
| MSP430F249  | 1.0  | 3.0  | 0.9   | 2.0  | 1.0                                     |
| MSP430F413  | 0.9  | 2.7  | 0.7   | 1.5  | 1.2                                     |
| MSP430F449  | 1.6  | 4.8  | 1.1   | 2.4  | 2.4                                     |

**Table 6. Typical Ultralow  $I_Q$  LDO Quiescent Power Dissipation vs the TPS780 Series**

| TYPICAL ULTRALOW $I_Q$<br>LDO AT 25°C AMBIENT | TYPICAL ULTRALOW $I_Q$<br>LDO AT 25°C AMBIENT<br>POWER DISSIPATION | TPS780 SERIES<br>TYPICAL $I_Q$ AT 25°C<br>AMBIENT | TPS780 SERIES AT 25°C<br>AMBIENT, POWER<br>DISSIPATION  | MSP430 SYSTEM<br>POWER SAVINGS<br>USING THE TPS780<br>SERIES |
|---|--|---|---|--|
| $I_Q$<br>( $\mu\text{A}$ )                    | $I_Q \times V_{IN} = 4.2\text{ V}$<br>( $\mu\text{W}$ )            | TPS780 $I_Q$<br>( $\mu\text{A}$ )                 | $I_Q \times V_{IN} = 4.2\text{ V}$<br>( $\mu\text{W}$ ) | Quiescent Power<br>Dissipation Savings<br>( $\mu\text{W}$ )  |
| 1.20  | 5.04   | 0.42  | 1.76  | 3.28   |

**Table 7. Total System Power Dissipation**

|                                       | LDO DISSIPATION    | MSP430 DISSIPATION               | TOTAL SYSTEM POWER IN<br>SLEEP MODE 3 |
|---------------------------------------|--------------------|----------------------------------|---------------------------------------|
| Typical 1.2 $\mu\text{A}$ LDO, no DVS | 5.04 $\mu\text{W}$ | 4.8 $\mu\text{W}$ <sup>(1)</sup> | 9.84 $\mu\text{W}$                    |
| TPS780 Series with DVS                | 1.76 $\mu\text{W}$ | 1.5 $\mu\text{W}$ <sup>(1)</sup> | 3.26 $\mu\text{W}$                    |

(1) Value taken from [Table 5](#) and relative to the MSP430F1121.

## 10 Layout

### 10.1 Layout Guidelines

#### 10.1.1 Board Layout Recommendations to Improve PSRR and Noise Performance

To improve ac performance (such as PSRR, output noise, and transient response), design the printed circuit board (PCB) with separate ground planes for  $V_{IN}$  and  $V_{OUT}$ , with each ground plane connected only at the GND pin of the device. In addition, the output capacitor must be as close as possible to the ground pin of the device to provide a common reference for regulation purposes. High ESR capacitors may degrade PSRR.

#### 10.1.2 Package Mounting

Solder pad footprint recommendations for the TPS780 series are available from the Texas Instruments web site at [www.ti.com](http://www.ti.com) through the [TPS780 series product folders](#).

## 10.2 Layout Example

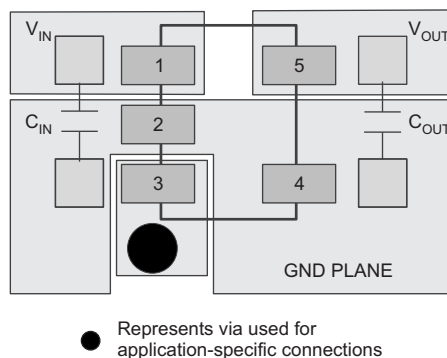


Figure 61. TPS780xx DDC Package Layout Example

## 10.3 Thermal Considerations

Thermal protection disables the device output when the junction temperature rises to approximately 160°C, allowing the device to cool. After the junction temperature cools to approximately 140°C, the output circuitry is enabled. Depending on power dissipation, thermal resistance, and ambient temperature, the thermal protection circuit may cycle on and off again. This cycling limits the dissipation of the regulator, protecting it from damage as a result of overheating.

Any tendency to activate the thermal protection circuit indicates excessive power dissipation or an inadequate heatsink. For reliable operation, limit junction temperature to 105°C maximum. To estimate the margin of safety in a complete design (including heatsink), increase the ambient temperature until the thermal protection is triggered; use worst-case loads and signal conditions.

The internal protection circuitry of the TPS780 family is designed to protect against overload conditions. However, this circuitry is not intended to replace proper heatsinking. Continuously running the TPS780 series into thermal shutdown degrades device reliability.

## 10.4 Power Dissipation

The ability to remove heat from the die is different for each package type, presenting different considerations in the PCB layout. The PCB area around the device that is free of other components moves the heat from the device to the ambient air. Performance data for JEDEC low- and high-K boards are given in [Thermal Information](#). Using heavier copper increases the effectiveness in removing heat from the device. The addition of plated through-holes to heat-dissipating layers also improves the heatsink effectiveness. Power dissipation depends on input voltage and load conditions. Power dissipation ( $P_D$ ) is equal to the product of the output current times the voltage drop across the output pass element ( $V_{IN}$  to  $V_{OUT}$ ), as shown in [Equation 3](#):

$$P_D = (V_{IN} - V_{OUT}) \times I_{OUT} \quad (3)$$

## 11 Device and Documentation Support

### 11.1 Device Support

#### 11.1.1 Development Support

##### 11.1.1.1 Evaluation Modules

An evaluation module (EVM) is available to assist in the initial circuit performance evaluation using the TPS780. The [TPS780XXEVM-301 evaluation module](#) (and [related user's guide](#)) can be requested at the Texas Instruments website through the product folders or purchased directly from the [TI eStore](#).

##### 11.1.1.2 Spice Models

Computer simulation of circuit performance using SPICE is often useful when analyzing the performance of analog circuits and systems. A SPICE model for the TPS780 series is available through the product folders under *Tools & Software*.

#### 11.1.2 Device Nomenclature

**Table 8. Device Nomenclature<sup>(1) (2)</sup>**

| PRODUCT            | V <sub>OUT</sub>  |
|--------------------|---|
| TPS780vvvxxx yyy z | <p><b>vvv</b> is the nominal output voltage for V<sub>OUT(HI)</sub> and corresponds to V<sub>SET</sub> pin low.<br/> <b>xxx</b> is the nominal output voltage for V<sub>OUT(LO)</sub> and corresponds to V<sub>SET</sub> pin high.<br/> <b>yyy</b> is the package designator.<br/> <b>z</b> is the tape and reel quantity (R = 3000, T = 250).<br/>           Adjustable version<sup>(3)(4)</sup></p> |

- (1) For the most current package and ordering information see the Package Option Addendum at the end of this document, or see the TI website at [www.ti.com](http://www.ti.com).
- (2) Additional output voltage combinations are available on a quick-turn basis using innovative, factory EPROM programming. Minimum order quantities apply; contact your sales representative for details and availability.
- (3) To order the adjustable version, use *TPS78001YYYZ*.
- (4) The device is either fixed voltage, dual-level V<sub>OUT</sub>, or adjustable voltage only. Device design does not permit a fixed and adjustable output simultaneously.

### 11.2 Documentation Support

#### 11.2.1 Related Documentation

For related documentation see the following:

- Application note: *Understanding LDO Dropout*, [SLVA207](#).
- *TPS780XXEVM-301 User's Guide*, [SLVU235](#).

#### 11.3 Trademarks

MSP430 is a trademark of Texas Instruments.  
 All other trademarks are the property of their respective owners.

#### 11.4 Electrostatic Discharge Caution



These devices have limited built-in ESD protection. The leads should be shorted together or the device placed in conductive foam during storage or handling to prevent electrostatic damage to the MOS gates.

#### 11.5 Glossary

[SLYZ022](#) — *TI Glossary*.

This glossary lists and explains terms, acronyms, and definitions.

## 12 Mechanical, Packaging, and Orderable Information

The following pages include mechanical, packaging, and orderable information. This information is the most current data available for the designated devices. This data is subject to change without notice and revision of this document. For browser-based versions of this data sheet, refer to the left-hand navigation.

**PACKAGING INFORMATION**

| Orderable Device | Status<br>(1) | Package Type | Package<br>Drawing | Pins | Package<br>Qty | Eco Plan<br>(2)            | Lead/Ball Finish<br>(6) | MSL Peak Temp<br>(3) | Op Temp (°C) | Device Marking<br>(4/5) | Samples                 |
|------------------|---------------|--------------|--------------------|------|----------------|----------------------------|-------------------------|----------------------|--------------|-------------------------|-------------------------|
| TPS78001DDCR     | ACTIVE        | SOT-23-THIN  | DDC                | 5    | 3000           | Green (RoHS<br>& no Sb/Br) | CU NIPDAU               | Level-2-260C-1 YEAR  | -40 to 125   | CEA                     | <a href="#">Samples</a> |
| TPS78001DDCRG4   | ACTIVE        | SOT-23-THIN  | DDC                | 5    | 3000           | Green (RoHS<br>& no Sb/Br) | CU NIPDAU               | Level-2-260C-1 YEAR  | -40 to 125   | CEA                     | <a href="#">Samples</a> |
| TPS78001DDCT     | ACTIVE        | SOT-23-THIN  | DDC                | 5    | 250            | Green (RoHS<br>& no Sb/Br) | CU NIPDAU               | Level-2-260C-1 YEAR  | -40 to 125   | CEA                     | <a href="#">Samples</a> |
| TPS78001DDCTG4   | ACTIVE        | SOT-23-THIN  | DDC                | 5    | 250            | Green (RoHS<br>& no Sb/Br) | CU NIPDAU               | Level-2-260C-1 YEAR  | -40 to 125   | CEA                     | <a href="#">Samples</a> |
| TPS78001DRVR     | ACTIVE        | WSON         | DRV                | 6    | 3000           | Green (RoHS<br>& no Sb/Br) | CU NIPDAU               | Level-1-260C-UNLIM   | -40 to 125   | CEA                     | <a href="#">Samples</a> |
| TPS78001DRVRG4   | ACTIVE        | WSON         | DRV                | 6    | 3000           | Green (RoHS<br>& no Sb/Br) | CU NIPDAU               | Level-1-260C-UNLIM   | -40 to 125   | CEA                     | <a href="#">Samples</a> |
| TPS78001DRVT     | ACTIVE        | WSON         | DRV                | 6    | 250            | Green (RoHS<br>& no Sb/Br) | CU NIPDAU               | Level-1-260C-UNLIM   | -40 to 125   | CEA                     | <a href="#">Samples</a> |
| TPS78001DRVTG4   | ACTIVE        | WSON         | DRV                | 6    | 250            | Green (RoHS<br>& no Sb/Br) | CU NIPDAU               | Level-1-260C-UNLIM   | -40 to 125   | CEA                     | <a href="#">Samples</a> |
| TPS780180300DRVR | ACTIVE        | WSON         | DRV                | 6    | 3000           | Green (RoHS<br>& no Sb/Br) | CU NIPDAU               | Level-1-260C-UNLIM   | -40 to 125   | RAX                     | <a href="#">Samples</a> |
| TPS780180300DRVT | ACTIVE        | WSON         | DRV                | 6    | 250            | Green (RoHS<br>& no Sb/Br) | CU NIPDAU               | Level-1-260C-UNLIM   | -40 to 125   | RAX                     | <a href="#">Samples</a> |
| TPS780230300DRVR | ACTIVE        | WSON         | DRV                | 6    | 3000           | Green (RoHS<br>& no Sb/Br) | CU NIPDAU               | Level-1-260C-UNLIM   | -40 to 125   | NXP                     | <a href="#">Samples</a> |
| TPS780230300DRVT | ACTIVE        | WSON         | DRV                | 6    | 250            | Green (RoHS<br>& no Sb/Br) | CU NIPDAU               | Level-1-260C-UNLIM   | -40 to 125   | NXP                     | <a href="#">Samples</a> |
| TPS780270200DDCR | ACTIVE        | SOT-23-THIN  | DDC                | 5    | 3000           | Green (RoHS<br>& no Sb/Br) | CU NIPDAU               | Level-2-260C-1 YEAR  | -40 to 125   | CVN                     | <a href="#">Samples</a> |
| TPS780270200DDCT | ACTIVE        | SOT-23-THIN  | DDC                | 5    | 250            | Green (RoHS<br>& no Sb/Br) | CU NIPDAU               | Level-2-260C-1 YEAR  | -40 to 125   | CVN                     | <a href="#">Samples</a> |
| TPS780300250DRVR | ACTIVE        | WSON         | DRV                | 6    | 3000           | Green (RoHS<br>& no Sb/Br) | CU NIPDAU               | Level-1-260C-UNLIM   | -40 to 125   | OAI                     | <a href="#">Samples</a> |
| TPS780300250DRVT | ACTIVE        | WSON         | DRV                | 6    | 250            | Green (RoHS<br>& no Sb/Br) | CU NIPDAU               | Level-1-260C-UNLIM   | -40 to 125   | OAI                     | <a href="#">Samples</a> |
| TPS780330200DDCR | ACTIVE        | SOT-23-THIN  | DDC                | 5    | 3000           | Green (RoHS<br>& no Sb/Br) | CU NIPDAU               | Level-2-260C-1 YEAR  | -40 to 125   | 13A                     | <a href="#">Samples</a> |

| Orderable Device   | Status<br>(1) | Package Type | Package Drawing | Pins | Package Qty | Eco Plan<br>(2)         | Lead/Ball Finish<br>(6) | MSL Peak Temp<br>(3) | Op Temp (°C) | Device Marking<br>(4/5) | Samples                 |
|--------------------|---------------|--------------|-----------------|------|-------------|-------------------------|-------------------------|----------------------|--------------|-------------------------|-------------------------|
| TPS780330200DDCT   | ACTIVE        | SOT-23-THIN  | DDC             | 5    | 250         | Green (RoHS & no Sb/Br) | CU NIPDAU               | Level-2-260C-1 YEAR  | -40 to 125   | 13A                     | <a href="#">Samples</a> |
| TPS780330220DDCR   | ACTIVE        | SOT-23-THIN  | DDC             | 5    | 3000        | Green (RoHS & no Sb/Br) | CU NIPDAU               | Level-2-260C-1 YEAR  | -40 to 125   | CEC                     | <a href="#">Samples</a> |
| TPS780330220DDCT   | ACTIVE        | SOT-23-THIN  | DDC             | 5    | 250         | Green (RoHS & no Sb/Br) | CU NIPDAU               | Level-2-260C-1 YEAR  | -40 to 125   | CEC                     | <a href="#">Samples</a> |
| TPS780330220DDCTG4 | ACTIVE        | SOT-23-THIN  | DDC             | 5    | 250         | Green (RoHS & no Sb/Br) | CU NIPDAU               | Level-2-260C-1 YEAR  | -40 to 125   | CEC                     | <a href="#">Samples</a> |
| TPS780330220DRVR   | ACTIVE        | WSON         | DRV             | 6    | 3000        | Green (RoHS & no Sb/Br) | CU NIPDAU               | Level-1-260C-UNLIM   | -40 to 125   | CEC                     | <a href="#">Samples</a> |
| TPS780330220DRVRG4 | ACTIVE        | WSON         | DRV             | 6    | 3000        | Green (RoHS & no Sb/Br) | CU NIPDAU               | Level-1-260C-UNLIM   | -40 to 125   | CEC                     | <a href="#">Samples</a> |
| TPS780330220DRVT   | ACTIVE        | WSON         | DRV             | 6    | 250         | Green (RoHS & no Sb/Br) | CU NIPDAU               | Level-1-260C-UNLIM   | -40 to 125   | CEC                     | <a href="#">Samples</a> |
| TPS780330220DRVTG4 | ACTIVE        | WSON         | DRV             | 6    | 250         | Green (RoHS & no Sb/Br) | CU NIPDAU               | Level-1-260C-UNLIM   | -40 to 125   | CEC                     | <a href="#">Samples</a> |

(1) The marketing status values are defined as follows:

**ACTIVE:** Product device recommended for new designs.

**LIFEBUY:** TI has announced that the device will be discontinued, and a lifetime-buy period is in effect.

**NRND:** Not recommended for new designs. Device is in production to support existing customers, but TI does not recommend using this part in a new design.

**PREVIEW:** Device has been announced but is not in production. Samples may or may not be available.

**OBSELETE:** TI has discontinued the production of the device.

(2) Eco Plan - The planned eco-friendly classification: Pb-Free (RoHS), Pb-Free (RoHS Exempt), or Green (RoHS & no Sb/Br) - please check <http://www.ti.com/productcontent> for the latest availability information and additional product content details.

**TBD:** The Pb-Free/Green conversion plan has not been defined.

**Pb-Free (RoHS):** TI's terms "Lead-Free" or "Pb-Free" mean semiconductor products that are compatible with the current RoHS requirements for all 6 substances, including the requirement that lead not exceed 0.1% by weight in homogeneous materials. Where designed to be soldered at high temperatures, TI Pb-Free products are suitable for use in specified lead-free processes.

**Pb-Free (RoHS Exempt):** This component has a RoHS exemption for either 1) lead-based flip-chip solder bumps used between the die and package, or 2) lead-based die adhesive used between the die and leadframe. The component is otherwise considered Pb-Free (RoHS compatible) as defined above.

**Green (RoHS & no Sb/Br):** TI defines "Green" to mean Pb-Free (RoHS compatible), and free of Bromine (Br) and Antimony (Sb) based flame retardants (Br or Sb do not exceed 0.1% by weight in homogeneous material)

(3) MSL, Peak Temp. - The Moisture Sensitivity Level rating according to the JEDEC industry standard classifications, and peak solder temperature.

(4) There may be additional marking, which relates to the logo, the lot trace code information, or the environmental category on the device.

<sup>(5)</sup> Multiple Device Markings will be inside parentheses. Only one Device Marking contained in parentheses and separated by a "-" will appear on a device. If a line is indented then it is a continuation of the previous line and the two combined represent the entire Device Marking for that device.

<sup>(6)</sup> Lead/Ball Finish - Orderable Devices may have multiple material finish options. Finish options are separated by a vertical ruled line. Lead/Ball Finish values may wrap to two lines if the finish value exceeds the maximum column width.

**Important Information and Disclaimer:**The information provided on this page represents TI's knowledge and belief as of the date that it is provided. TI bases its knowledge and belief on information provided by third parties, and makes no representation or warranty as to the accuracy of such information. Efforts are underway to better integrate information from third parties. TI has taken and continues to take reasonable steps to provide representative and accurate information but may not have conducted destructive testing or chemical analysis on incoming materials and chemicals. TI and TI suppliers consider certain information to be proprietary, and thus CAS numbers and other limited information may not be available for release.

In no event shall TI's liability arising out of such information exceed the total purchase price of the TI part(s) at issue in this document sold by TI to Customer on an annual basis.

## TAPE AND REEL INFORMATION



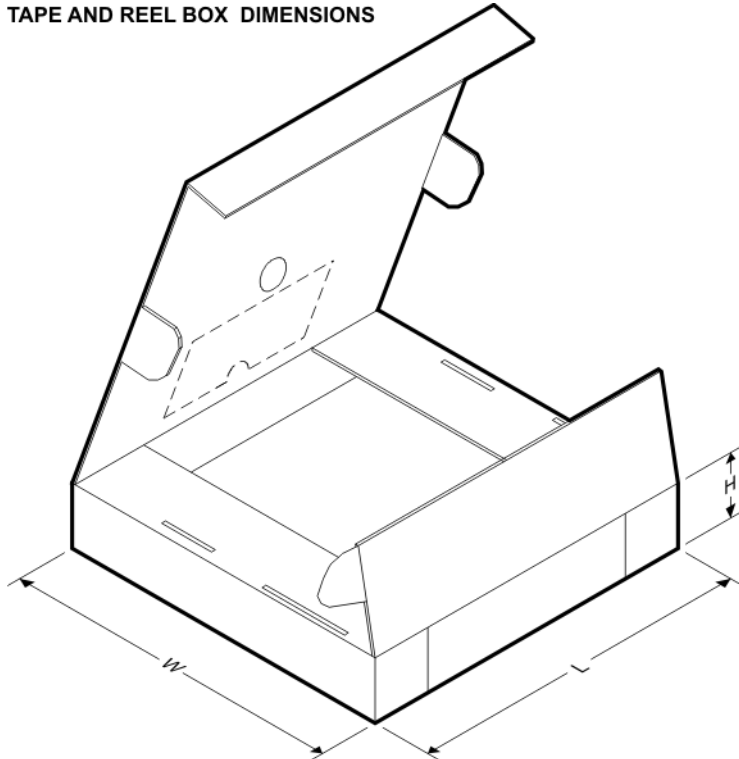
### QUADRANT ASSIGNMENTS FOR PIN 1 ORIENTATION IN TAPE



\*All dimensions are nominal

| Device           | Package Type | Package Drawing | Pins | SPQ  | Reel Diameter (mm) | Reel Width W1 (mm) | A0 (mm) | B0 (mm) | K0 (mm) | P1 (mm) | W (mm) | Pin1 Quadrant |
|------------------|--------------|-----------------|------|------|--------------------|--------------------|---------|---------|---------|---------|--------|---------------|
| TPS78001DDCR     | SOT-23-THIN  | DDC             | 5    | 3000 | 179.0              | 8.4                | 3.2     | 3.2     | 1.4     | 4.0     | 8.0    | Q3            |
| TPS78001DDCT     | SOT-23-THIN  | DDC             | 5    | 250  | 179.0              | 8.4                | 3.2     | 3.2     | 1.4     | 4.0     | 8.0    | Q3            |
| TPS78001DRVR     | WSON         | DRV             | 6    | 3000 | 178.0              | 8.4                | 2.25    | 2.25    | 1.0     | 4.0     | 8.0    | Q2            |
| TPS78001DRVR     | WSON         | DRV             | 6    | 3000 | 179.0              | 8.4                | 2.2     | 2.2     | 1.2     | 4.0     | 8.0    | Q2            |
| TPS78001DRVT     | WSON         | DRV             | 6    | 250  | 178.0              | 8.4                | 2.25    | 2.25    | 1.0     | 4.0     | 8.0    | Q2            |
| TPS78001DRVT     | WSON         | DRV             | 6    | 250  | 179.0              | 8.4                | 2.2     | 2.2     | 1.2     | 4.0     | 8.0    | Q2            |
| TPS780180300DRVR | WSON         | DRV             | 6    | 3000 | 179.0              | 8.4                | 2.2     | 2.2     | 1.2     | 4.0     | 8.0    | Q2            |
| TPS780180300DRVR | WSON         | DRV             | 6    | 3000 | 178.0              | 8.4                | 2.25    | 2.25    | 1.0     | 4.0     | 8.0    | Q2            |
| TPS780180300DRVT | WSON         | DRV             | 6    | 250  | 179.0              | 8.4                | 2.2     | 2.2     | 1.2     | 4.0     | 8.0    | Q2            |
| TPS780180300DRVT | WSON         | DRV             | 6    | 250  | 178.0              | 8.4                | 2.25    | 2.25    | 1.0     | 4.0     | 8.0    | Q2            |
| TPS780230300DRVR | WSON         | DRV             | 6    | 3000 | 178.0              | 8.4                | 2.25    | 2.25    | 1.0     | 4.0     | 8.0    | Q2            |
| TPS780230300DRVR | WSON         | DRV             | 6    | 3000 | 179.0              | 8.4                | 2.2     | 2.2     | 1.2     | 4.0     | 8.0    | Q2            |
| TPS780230300DRVT | WSON         | DRV             | 6    | 250  | 179.0              | 8.4                | 2.2     | 2.2     | 1.2     | 4.0     | 8.0    | Q2            |
| TPS780230300DRVT | WSON         | DRV             | 6    | 250  | 178.0              | 8.4                | 2.25    | 2.25    | 1.0     | 4.0     | 8.0    | Q2            |
| TPS780270200DDCR | SOT-23-THIN  | DDC             | 5    | 3000 | 179.0              | 8.4                | 3.2     | 3.2     | 1.4     | 4.0     | 8.0    | Q3            |
| TPS780270200DDCT | SOT-         | DDC             | 5    | 250  | 179.0              | 8.4                | 3.2     | 3.2     | 1.4     | 4.0     | 8.0    | Q3            |

| Device           | Package Type | Package Drawing | Pins | SPQ  | Reel Diameter (mm) | Reel Width W1 (mm) | A0 (mm) | B0 (mm) | K0 (mm) | P1 (mm) | W (mm) | Pin1 Quadrant |
|------------------|--------------|-----------------|------|------|--------------------|--------------------|---------|---------|---------|---------|--------|---------------|
|                  | 23-THIN      |                 |      |      |                    |                    |         |         |         |         |        |               |
| TPS780300250DRVR | WSON         | DRV             | 6    | 3000 | 179.0              | 8.4                | 2.2     | 2.2     | 1.2     | 4.0     | 8.0    | Q2            |
| TPS780300250DRVT | WSON         | DRV             | 6    | 250  | 179.0              | 8.4                | 2.2     | 2.2     | 1.2     | 4.0     | 8.0    | Q2            |
| TPS780330200DDCR | SOT-23-THIN  | DDC             | 5    | 3000 | 179.0              | 8.4                | 3.2     | 3.2     | 1.4     | 4.0     | 8.0    | Q3            |
| TPS780330200DDCT | SOT-23-THIN  | DDC             | 5    | 250  | 179.0              | 8.4                | 3.2     | 3.2     | 1.4     | 4.0     | 8.0    | Q3            |
| TPS780330220DDCR | SOT-23-THIN  | DDC             | 5    | 3000 | 179.0              | 8.4                | 3.2     | 3.2     | 1.4     | 4.0     | 8.0    | Q3            |
| TPS780330220DDCT | SOT-23-THIN  | DDC             | 5    | 250  | 179.0              | 8.4                | 3.2     | 3.2     | 1.4     | 4.0     | 8.0    | Q3            |
| TPS780330220DRVR | WSON         | DRV             | 6    | 3000 | 179.0              | 8.4                | 2.2     | 2.2     | 1.2     | 4.0     | 8.0    | Q2            |
| TPS780330220DRVT | WSON         | DRV             | 6    | 250  | 179.0              | 8.4                | 2.2     | 2.2     | 1.2     | 4.0     | 8.0    | Q2            |

**TAPE AND REEL BOX DIMENSIONS**


\*All dimensions are nominal

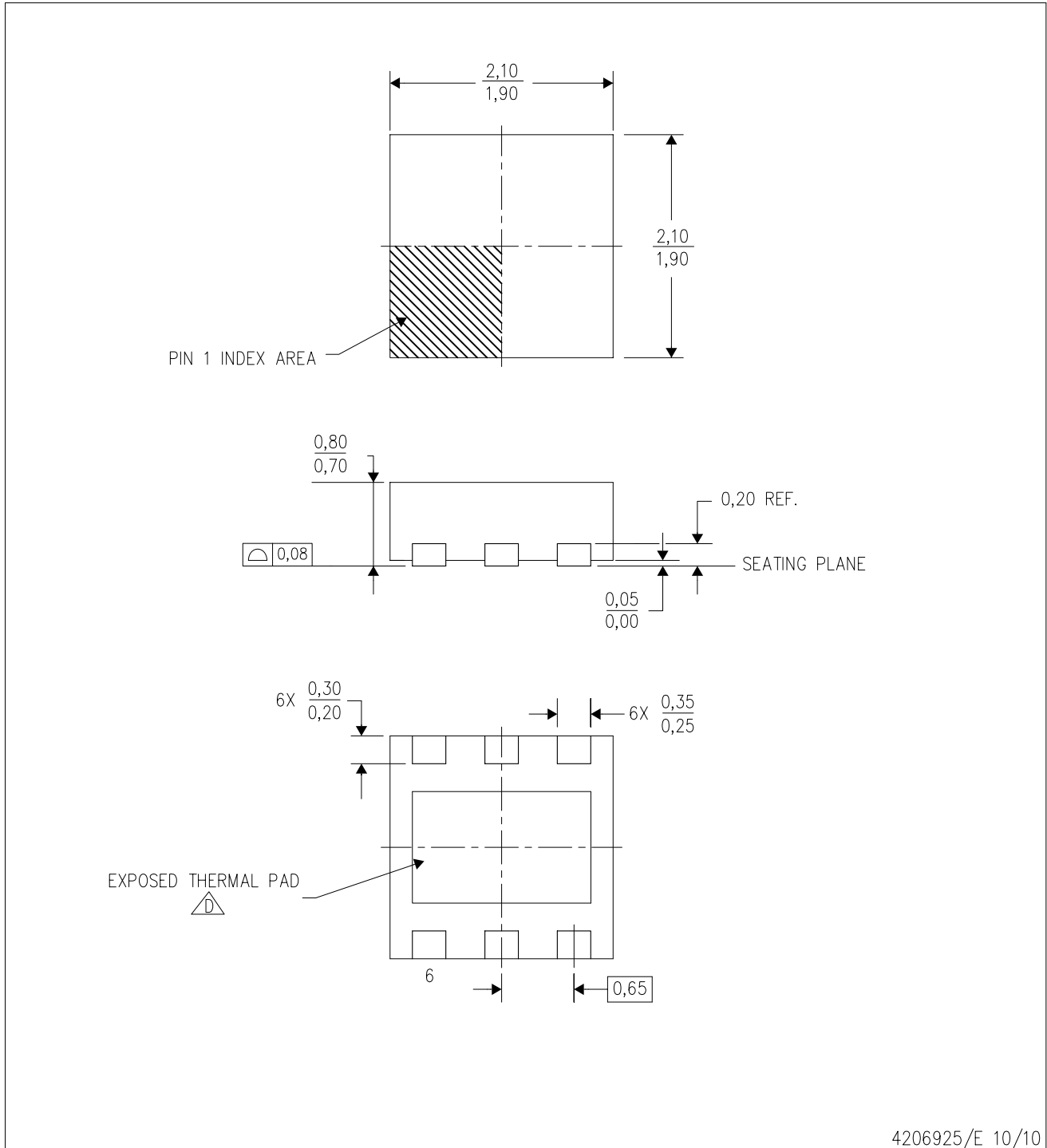
| Device       | Package Type | Package Drawing | Pins | SPQ  | Length (mm) | Width (mm) | Height (mm) |
|--------------|--------------|-----------------|------|------|-------------|------------|-------------|
| TPS78001DDCR | SOT-23-THIN  | DDC             | 5    | 3000 | 195.0       | 200.0      | 45.0        |
| TPS78001DDCT | SOT-23-THIN  | DDC             | 5    | 250  | 195.0       | 200.0      | 45.0        |
| TPS78001DRVR | WSON         | DRV             | 6    | 3000 | 205.0       | 200.0      | 33.0        |
| TPS78001DRVR | WSON         | DRV             | 6    | 3000 | 203.0       | 203.0      | 35.0        |
| TPS78001DRVT | WSON         | DRV             | 6    | 250  | 205.0       | 200.0      | 33.0        |

| Device           | Package Type | Package Drawing | Pins | SPQ  | Length (mm) | Width (mm) | Height (mm) |
|------------------|--------------|-----------------|------|------|-------------|------------|-------------|
| TPS78001DRVT     | WSON         | DRV             | 6    | 250  | 203.0       | 203.0      | 35.0        |
| TPS780180300DRVR | WSON         | DRV             | 6    | 3000 | 203.0       | 203.0      | 35.0        |
| TPS780180300DRVR | WSON         | DRV             | 6    | 3000 | 205.0       | 200.0      | 33.0        |
| TPS780180300DRVT | WSON         | DRV             | 6    | 250  | 203.0       | 203.0      | 35.0        |
| TPS780180300DRVT | WSON         | DRV             | 6    | 250  | 205.0       | 200.0      | 33.0        |
| TPS780230300DRVR | WSON         | DRV             | 6    | 3000 | 205.0       | 200.0      | 33.0        |
| TPS780230300DRVR | WSON         | DRV             | 6    | 3000 | 203.0       | 203.0      | 35.0        |
| TPS780230300DRVT | WSON         | DRV             | 6    | 250  | 203.0       | 203.0      | 35.0        |
| TPS780230300DRVT | WSON         | DRV             | 6    | 250  | 205.0       | 200.0      | 33.0        |
| TPS780270200DDCR | SOT-23-THIN  | DDC             | 5    | 3000 | 195.0       | 200.0      | 45.0        |
| TPS780270200DDCT | SOT-23-THIN  | DDC             | 5    | 250  | 195.0       | 200.0      | 45.0        |
| TPS780300250DRVR | WSON         | DRV             | 6    | 3000 | 203.0       | 203.0      | 35.0        |
| TPS780300250DRVT | WSON         | DRV             | 6    | 250  | 203.0       | 203.0      | 35.0        |
| TPS780330200DDCR | SOT-23-THIN  | DDC             | 5    | 3000 | 195.0       | 200.0      | 45.0        |
| TPS780330200DDCT | SOT-23-THIN  | DDC             | 5    | 250  | 195.0       | 200.0      | 45.0        |
| TPS780330220DDCR | SOT-23-THIN  | DDC             | 5    | 3000 | 195.0       | 200.0      | 45.0        |
| TPS780330220DDCT | SOT-23-THIN  | DDC             | 5    | 250  | 195.0       | 200.0      | 45.0        |
| TPS780330220DRVR | WSON         | DRV             | 6    | 3000 | 203.0       | 203.0      | 35.0        |
| TPS780330220DRVT | WSON         | DRV             | 6    | 250  | 203.0       | 203.0      | 35.0        |

# MECHANICAL DATA

DRV (S-PWSON-N6)

PLASTIC SMALL OUTLINE NO-LEAD



4206925/E 10/10

- NOTES:
- All linear dimensions are in millimeters. Dimensioning and tolerancing per ASME Y14.5M-1994.
  - This drawing is subject to change without notice.
  - Small Outline No-Lead (SON) package configuration.
- D** The package thermal pad must be soldered to the board for thermal and mechanical performance. See the Product Data Sheet for details regarding the exposed thermal pad dimensions.

## THERMAL PAD MECHANICAL DATA

DRV (S-PWSON-N6)

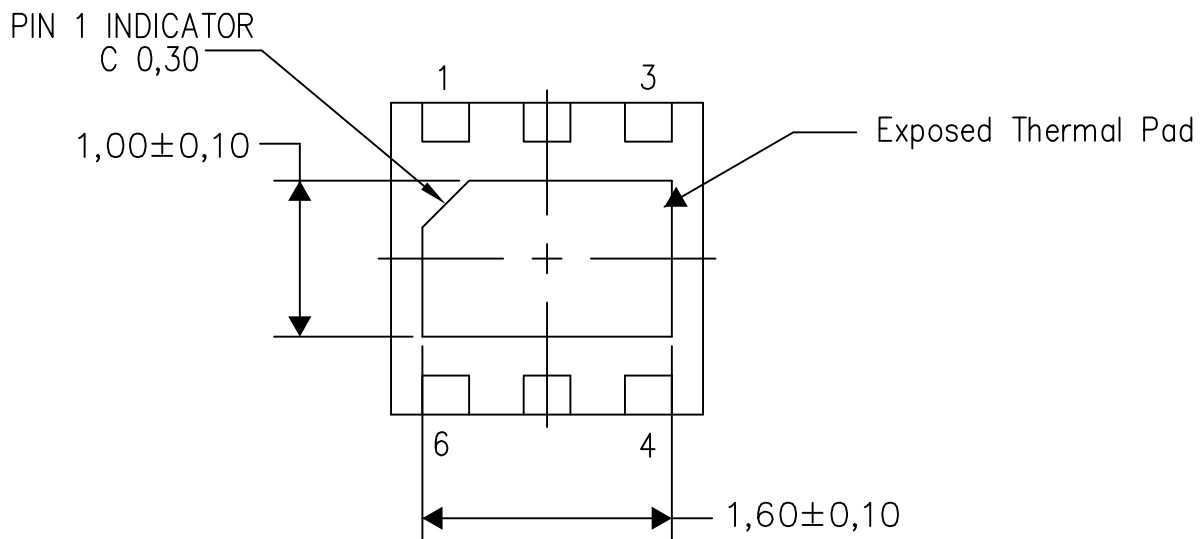
PLASTIC SMALL OUTLINE NO-LEAD

### THERMAL INFORMATION

This package incorporates an exposed thermal pad that is designed to be attached directly to an external heatsink. The thermal pad must be soldered directly to the printed circuit board (PCB). After soldering, the PCB can be used as a heatsink. In addition, through the use of thermal vias, the thermal pad can be attached directly to the appropriate copper plane shown in the electrical schematic for the device, or alternatively, can be attached to a special heatsink structure designed into the PCB. This design optimizes the heat transfer from the integrated circuit (IC).

For information on the Quad Flatpack No-Lead (QFN) package and its advantages, refer to Application Report, QFN/SON PCB Attachment, Texas Instruments Literature No. SLUA271. This document is available at [www.ti.com](http://www.ti.com).

The exposed thermal pad dimensions for this package are shown in the following illustration.



Bottom View

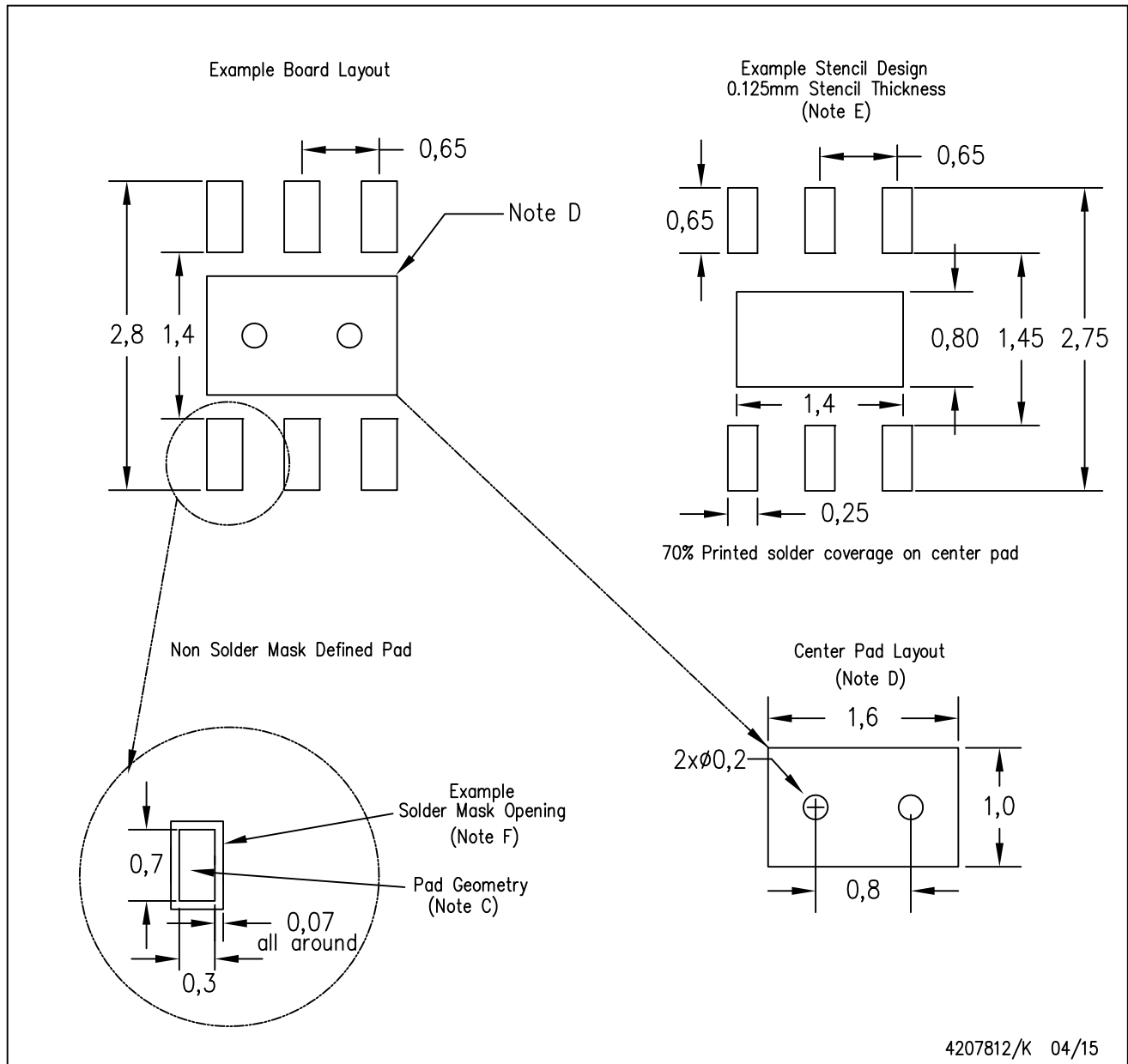
Exposed Thermal Pad Dimensions

4206926/Q 04/15

NOTE: All linear dimensions are in millimeters

DRV (S-PWSON-N6)

PLASTIC SMALL OUTLINE NO-LEAD

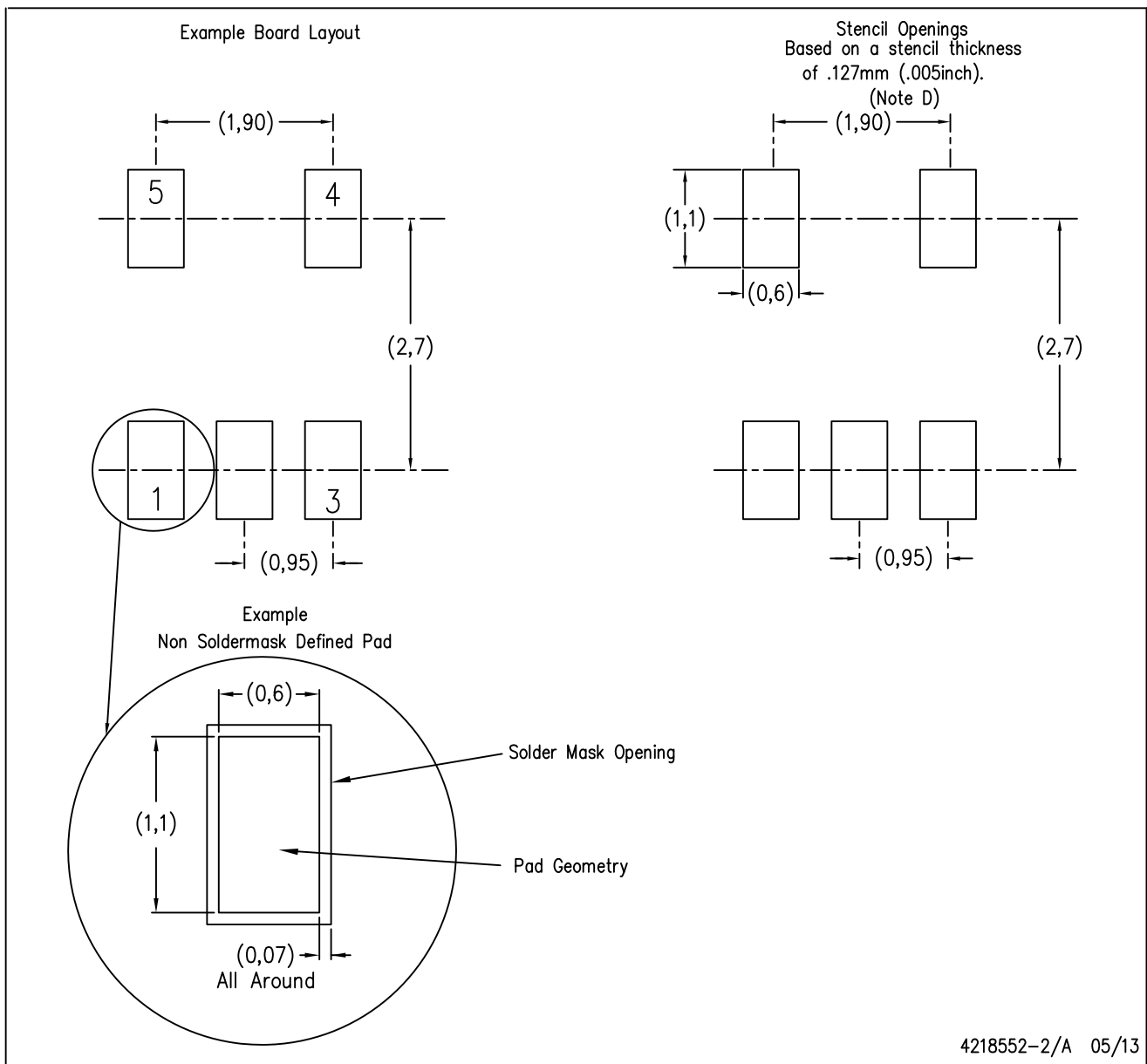


- NOTES:
- A. All linear dimensions are in millimeters.
  - B. This drawing is subject to change without notice.
  - C. Publication IPC-7351 is recommended for alternate designs.
  - D. This package is designed to be soldered to a thermal pad on the board. Refer to Application Note, QFN/SON PCB Attachment, Texas Instruments Literature No. SLUA271, and also the Product Data Sheets for specific thermal information, via requirements, and recommended board layout. These documents are available at [www.ti.com](http://www.ti.com) <<http://www.ti.com>>.
  - E. Laser cutting apertures with trapezoidal walls and also rounding corners will offer better paste release. Customers should contact their board assembly site for stencil design recommendations. Refer to IPC 7525 for stencil design considerations.
  - F. Customers should contact their board fabrication site for solder mask tolerances.



DDC (R-PDSO-G5)

PLASTIC SMALL OUTLINE



- NOTES:
- A. All linear dimensions are in millimeters.
  - B. This drawing is subject to change without notice.
  - C. Publication IPC-7351 is recommended for alternate designs.
  - D. Laser cutting apertures with trapezoidal walls and also rounding corners will offer better paste release. Customers should contact their board assembly site for stencil design recommendations. Example stencil design based on a 50% volumetric metal load solder paste. Refer to IPC-7525 for other stencil recommendations.

## IMPORTANT NOTICE FOR TI DESIGN INFORMATION AND RESOURCES

Texas Instruments Incorporated ("TI") technical, application or other design advice, services or information, including, but not limited to, reference designs and materials relating to evaluation modules, (collectively, "TI Resources") are intended to assist designers who are developing applications that incorporate TI products; by downloading, accessing or using any particular TI Resource in any way, you (individually or, if you are acting on behalf of a company, your company) agree to use it solely for this purpose and subject to the terms of this Notice.

TI's provision of TI Resources does not expand or otherwise alter TI's applicable published warranties or warranty disclaimers for TI products, and no additional obligations or liabilities arise from TI providing such TI Resources. TI reserves the right to make corrections, enhancements, improvements and other changes to its TI Resources.

You understand and agree that you remain responsible for using your independent analysis, evaluation and judgment in designing your applications and that you have full and exclusive responsibility to assure the safety of your applications and compliance of your applications (and of all TI products used in or for your applications) with all applicable regulations, laws and other applicable requirements. You represent that, with respect to your applications, you have all the necessary expertise to create and implement safeguards that (1) anticipate dangerous consequences of failures, (2) monitor failures and their consequences, and (3) lessen the likelihood of failures that might cause harm and take appropriate actions. You agree that prior to using or distributing any applications that include TI products, you will thoroughly test such applications and the functionality of such TI products as used in such applications. TI has not conducted any testing other than that specifically described in the published documentation for a particular TI Resource.

You are authorized to use, copy and modify any individual TI Resource only in connection with the development of applications that include the TI product(s) identified in such TI Resource. NO OTHER LICENSE, EXPRESS OR IMPLIED, BY ESTOPPEL OR OTHERWISE TO ANY OTHER TI INTELLECTUAL PROPERTY RIGHT, AND NO LICENSE TO ANY TECHNOLOGY OR INTELLECTUAL PROPERTY RIGHT OF TI OR ANY THIRD PARTY IS GRANTED HEREIN, including but not limited to any patent right, copyright, mask work right, or other intellectual property right relating to any combination, machine, or process in which TI products or services are used. Information regarding or referencing third-party products or services does not constitute a license to use such products or services, or a warranty or endorsement thereof. Use of TI Resources may require a license from a third party under the patents or other intellectual property of the third party, or a license from TI under the patents or other intellectual property of TI.

TI RESOURCES ARE PROVIDED "AS IS" AND WITH ALL FAULTS. TI DISCLAIMS ALL OTHER WARRANTIES OR REPRESENTATIONS, EXPRESS OR IMPLIED, REGARDING TI RESOURCES OR USE THEREOF, INCLUDING BUT NOT LIMITED TO ACCURACY OR COMPLETENESS, TITLE, ANY EPIDEMIC FAILURE WARRANTY AND ANY IMPLIED WARRANTIES OF MERCHANTABILITY, FITNESS FOR A PARTICULAR PURPOSE, AND NON-INFRINGEMENT OF ANY THIRD PARTY INTELLECTUAL PROPERTY RIGHTS.

TI SHALL NOT BE LIABLE FOR AND SHALL NOT DEFEND OR INDEMNIFY YOU AGAINST ANY CLAIM, INCLUDING BUT NOT LIMITED TO ANY INFRINGEMENT CLAIM THAT RELATES TO OR IS BASED ON ANY COMBINATION OF PRODUCTS EVEN IF DESCRIBED IN TI RESOURCES OR OTHERWISE. IN NO EVENT SHALL TI BE LIABLE FOR ANY ACTUAL, DIRECT, SPECIAL, COLLATERAL, INDIRECT, PUNITIVE, INCIDENTAL, CONSEQUENTIAL OR EXEMPLARY DAMAGES IN CONNECTION WITH OR ARISING OUT OF TI RESOURCES OR USE THEREOF, AND REGARDLESS OF WHETHER TI HAS BEEN ADVISED OF THE POSSIBILITY OF SUCH DAMAGES.

You agree to fully indemnify TI and its representatives against any damages, costs, losses, and/or liabilities arising out of your non-compliance with the terms and provisions of this Notice.

This Notice applies to TI Resources. Additional terms apply to the use and purchase of certain types of materials, TI products and services. These include; without limitation, TI's standard terms for semiconductor products (<http://www.ti.com/sc/docs/stdterms.htm>), [evaluation modules](#), and [samples](http://www.ti.com/sc/docs/sampterm.htm) (<http://www.ti.com/sc/docs/sampterm.htm>).

Mailing Address: Texas Instruments, Post Office Box 655303, Dallas, Texas 75265  
Copyright © 2017, Texas Instruments Incorporated