

TLC0820AC, TLC0820AI

Advanced LinCMOS™ HIGH-SPEED 8-BIT ANALOG-TO-DIGITAL CONVERTERS USING MODIFIED FLASH TECHNIQUES

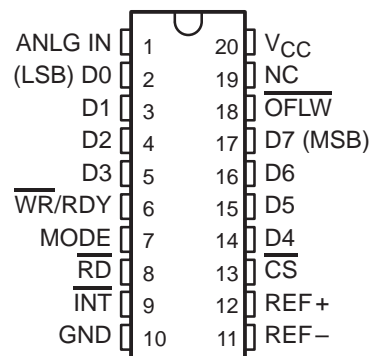
SLAS064A – SEPTEMBER 1986 – REVISED JUNE 1994

- **Advanced LinCMOS™ Silicon-Gate Technology**
- **8-Bit Resolution**
- **Differential Reference Inputs**
- **Parallel Microprocessor Interface**
- **Conversion and Access Time Over Temperature Range**
Read Mode . . . 2.5 μ s Max
- **No External Clock or Oscillator Components Required**
- **On-Chip Track and Hold**
- **Single 5-V Supply**
- **TLC0820A Is Direct Replacement for National Semiconductor ADC0820C/CC and Analog Devices AD7820K/B/T**

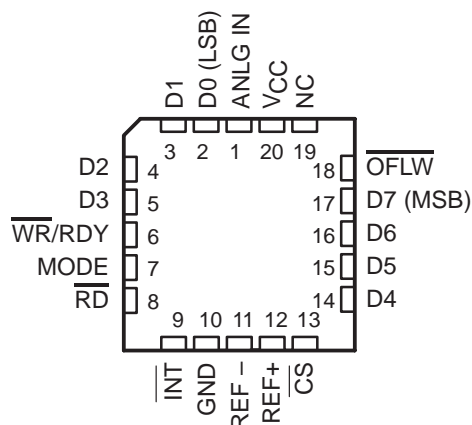
description

The TLC0820AC and the TLC0820AI are Advanced LinCMOS™ 8-bit analog-to-digital converters each consisting of two 4-bit flash converters, a 4-bit digital-to-analog converter, a summing (error) amplifier, control logic, and a result latch circuit. The modified flash technique allows low-power integrated circuitry to complete an 8-bit conversion in 1.18 μ s over temperature. The on-chip track-and-hold circuit has a 100-ns sample window and allows these devices to convert continuous analog signals having slew rates of up to 100 mV/ μ s without external sampling components. TTL-compatible 3-state output drivers and two modes of operation allow interfacing to a variety of microprocessors. Detailed information on interfacing to most popular microprocessors is readily available from the factory.

**DB, DW, OR N PACKAGE
(TOP VIEW)**



**FN PACKAGE
(TOP VIEW)**



NC—No internal connection

AVAILABLE OPTIONS

T _A	TOTAL UNADJUSTED ERROR	PACKAGE			
		SSOP (DB)	PLASTIC SMALL OUTLINE (DW)	PLASTIC CHIP CARRIER (FN)	PLASTIC DIP (N)
0°C to 70°C	±1 LSB	TLC0820ACDB	TLC0820ACDW	TLC0820ACFN	TLC0820ACN
-40°C to 85°C	±1 LSB	—	TLC0820AIDW	TLC0820AIFN	TLC0820AIN

Advanced LinCMOS is a trademark of Texas Instruments Incorporated.

PRODUCTION DATA information is current as of publication date. Products conform to specifications per the terms of Texas Instruments standard warranty. Production processing does not necessarily include testing of all parameters.



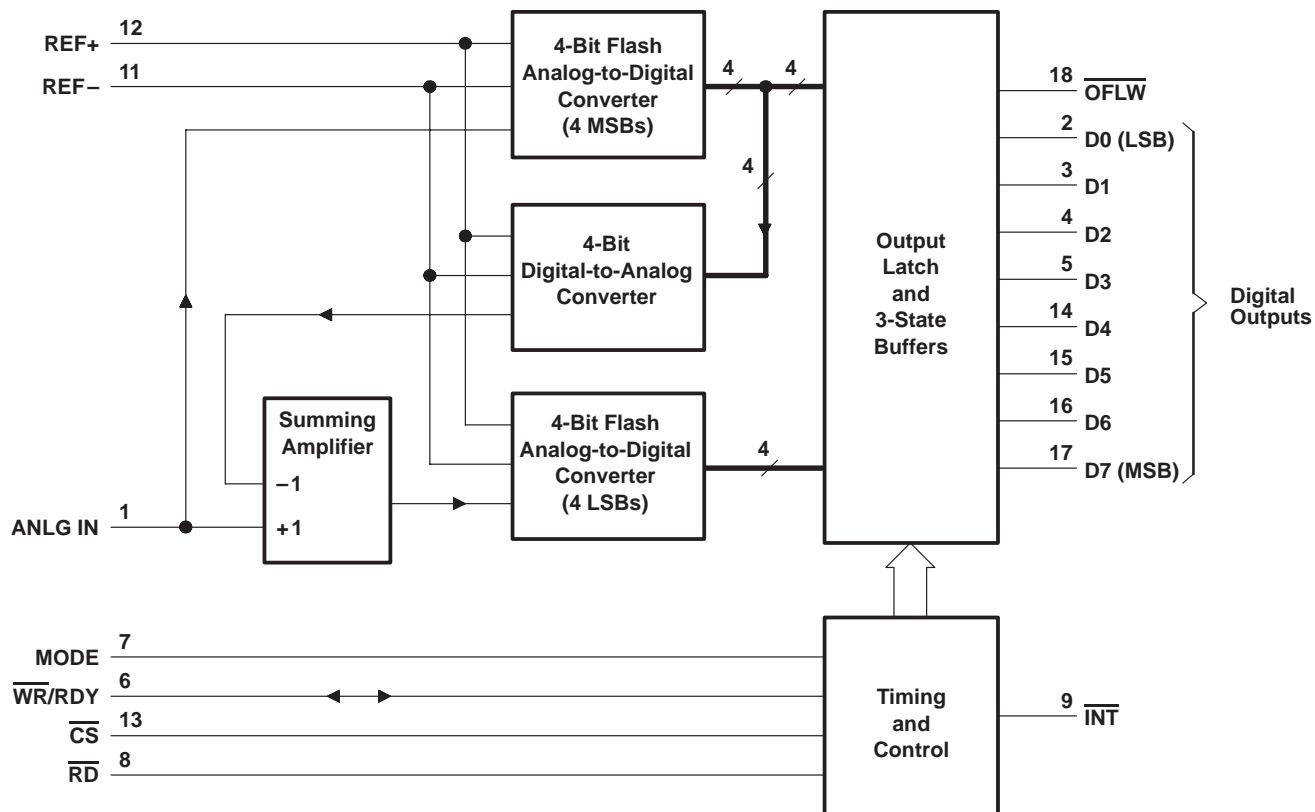
POST OFFICE BOX 655303 • DALLAS, TEXAS 75265

Copyright © 1994, Texas Instruments Incorporated

TLC0820AC, TLC0820AI
Advanced LinCMOS™ HIGH-SPEED 8-BIT ANALOG-TO-DIGITAL
CONVERTERS USING MODIFIED FLASH TECHNIQUES

SLAS064A – SEPTEMBER 1986 – REVISED JUNE 1994

functional block diagram



TLC0820AC, TLC0820AI
**Advanced LinCMOS™ HIGH-SPEED 8-BIT ANALOG-TO-DIGITAL
 CONVERTERS USING MODIFIED FLASH TECHNIQUES**

SLAS064A – SEPTEMBER 1986 – REVISED JUNE 1994

Terminal Functions

TERMINAL NAME NO.	I/O	DESCRIPTION
ANLG IN 1	I	Analog input
\overline{CS} 13	I	Chip select. \overline{CS} must be low in order for \overline{RD} or \overline{WR} to be recognized by the ADC.
D0 2	O	Digital, 3-state output data, bit 1 (LSB)
D1 3	O	Digital, 3-state output data, bit 2
D2 4	O	Digital, 3-state output data, bit 3
D3 5	O	Digital, 3-state output data, bit 4
D4 14	O	Digital, 3-state output data, bit 5
D5 15	O	Digital, 3-state output data, bit 6
D6 16	O	Digital, 3-state output data, bit 7
D7 17	O	Digital, 3-state output data, bit 8 (MSB)
GND 10		Ground
\overline{INT} 9	O	Interrupt. In the write-read mode, the interrupt output (\overline{INT}) going low indicates that the internal count-down delay time, $t_{d(int)}$, is complete and the data result is in the output latch. The delay time $t_{d(int)}$ is typically 800 ns starting after the rising edge of \overline{WR} (see operating characteristics and Figure 3). If \overline{RD} goes low prior to the end of $t_{d(int)}$, \overline{INT} goes low at the end of $t_{d(RLL)}$ and the conversion results are available sooner (see Figure 2). \overline{INT} is reset by the rising edge of either \overline{RD} or \overline{CS} .
MODE 7	I	Mode select. MODE is internally tied to GND through a 50- μ A current source, which acts like a pulldown resistor. When MODE is low, the read mode is selected. When MODE is high, the write-read mode is selected.
NC 19		No internal connection
\overline{OFLW} 18	O	Overflow. Normally \overline{OFLW} is a logical high. However, if the analog input is higher than V_{ref+} , \overline{OFLW} will be low at the end of conversion. It can be used to cascade two or more devices to improve resolution (9 or 10 bits).
\overline{RD} 8	I	Read. In the write-read mode with \overline{CS} low, the 3-state data outputs D0 through D7 are activated when \overline{RD} goes low. \overline{RD} can also be used to increase the conversion speed by reading data prior to the end of the internal count-down delay time. As a result, the data transferred to the output latch is latched after the falling edge of \overline{RD} . In the read mode with \overline{CS} low, the conversion starts with \overline{RD} going low. \overline{RD} also enables the 3-state data outputs on completion of the conversion. \overline{RDY} going into the high-impedance state and \overline{INT} going low indicate completion of the conversion.
REF– 11	I	Reference voltage. REF– is placed on the bottom of the resistor ladder.
REF+ 12	I	Reference voltage. REF+ is placed on the top of the resistor ladder.
VCC 20		Power supply voltage
\overline{WR}/RDY 6	I/O	Write ready. In the write-read mode with \overline{CS} low, the conversion is started on the falling edge of the \overline{WR} input signal. The result of the conversion is strobed into the output latch after the internal count-down delay time, $t_{d(int)}$, provided that the \overline{RD} input does not go low prior to this time. The delay time $t_{d(int)}$ is approximately 800 ns. In the read mode, \overline{RDY} (an open-drain output) goes low after the falling edge of \overline{CS} and goes into the high-impedance state when the conversion is strobed into the output latch. It is used to simplify the interface to a microprocessor system.



TLC0820AC, TLC0820AI
Advanced LinCMOS™ HIGH-SPEED 8-BIT ANALOG-TO-DIGITAL
CONVERTERS USING MODIFIED FLASH TECHNIQUES

SLAS064A – SEPTEMBER 1986 – REVISED JUNE 1994

absolute maximum ratings over operating free-air temperature range (unless otherwise noted)†

Supply voltage, V_{CC} (see Note 1)	10 V
Input voltage range, all inputs (see Note 1)	-0.2 V to $V_{CC}+0.2$ V
Output voltage range, all outputs (see Note 1)	-0.2 V to $V_{CC}+0.2$ V
Operating free-air temperature range: TLC0820AC	0°C to 70°C
TLC0820AI	-40°C to 85°C
Storage temperature range	-65°C to 150°C
Case temperature for 10 seconds: FN package	260°C
Lead temperature 1,6 mm (1/16 inch) from case for 10 seconds: DB, DW or N package	260°C

† Stresses beyond those listed under “absolute maximum ratings” may cause permanent damage to the device. These are stress ratings only, and functional operation of the device at these or any other conditions beyond those indicated under “recommended operating conditions” is not implied. Exposure to absolute-maximum-rated conditions for extended periods may affect device reliability.

NOTE 1: All voltages are with respect to network GND.

recommended operating conditions

		MIN	NOM	MAX	UNIT
Supply voltage, V_{CC}		4.5	5	8	V
Analog input voltage		-0.1		$V_{CC}+0.1$	V
Positive reference voltage, V_{ref+}		V_{ref-}		V_{CC}	V
Negative reference voltage, V_{ref-}		GND		V_{ref+}	V
High-level input voltage, V_{IH}	$V_{CC} = 4.75$ V to 5.25 V	$\overline{CS}, \overline{WR/RDY}, \overline{RD}$	2		V
		MODE	3.5		
Low-level input voltage, V_{IL}	$V_{CC} = 4.75$ V to 5.25 V	$\overline{CS}, \overline{WR/RDY}, \overline{RD}$	0.8		V
		MODE	1.5		
Pulse duration, write in write-read mode, $t_{W(W)}$ (see Figures 2, 3, and 4)		0.5		50	μ s
Operating free-air temperature, T_A	TLC0820AC	0		70	°C
	TLC0820AI	-40		85	



TLC0820AC, TLC0820AI
Advanced LinCMOS™ HIGH-SPEED 8-BIT ANALOG-TO-DIGITAL
CONVERTERS USING MODIFIED FLASH TECHNIQUES

SLAS064A – SEPTEMBER 1986 – REVISED JUNE 1994

electrical characteristics at specified operating free-air temperature, $V_{CC} = 5\text{ V}$ (unless otherwise noted)

PARAMETER		TEST CONDITIONS	T_A^\dagger	MIN	TYP	MAX	UNIT			
V_{OH}	High-level output voltage	$\overline{D0-D7}$, \overline{INT} , or \overline{OFLW}	Full range	$V_{CC} = 4.75\text{ V}$, $I_{OH} = -360\text{ }\mu\text{A}$	2.4		V			
				$V_{CC} = 4.75\text{ V}$, $I_{OH} = -10\text{ }\mu\text{A}$	Full range	4.5				
V_{OL}	Low-level output voltage	$\overline{D0-D7}$, \overline{OFLW} , \overline{INT} , or $\overline{WR/RDY}$	Full range	$V_{CC} = 5.25\text{ V}$, $I_{OL} = 1.6\text{ mA}$	0.4		V			
					25°C			0.34		
I_{IH}	High-level input current	\overline{CS} or \overline{RD}	Full range	$V_{IH} = 5\text{ V}$	0.005		1	μA		
					25°C				3	
							0.1		0.3	
					$\overline{WR/RDY}$	Full range			200	
I_{IL}	Low-level input current	\overline{CS} , $\overline{WR/RDY}$, \overline{RD} , or MODE	Full range	$V_{IL} = 0$			50	μA		
							170			
I_{OZ}	Off-state (high-impedance-state) output current	$\overline{D0-D7}$ or $\overline{WR/RDY}$	Full range	$V_O = 5\text{ V}$			3	μA		
					25°C				0.1	0.3
									-3	
					$V_O = 0$	Full range			-0.1	-0.3
I_I	Analog input current	\overline{CS} at 5 V, $V_I = 5\text{ V}$	Full range	$V_I = 5\text{ V}$			3	μA		
					25°C				0.3	
									-3	
					\overline{CS} at 5 V, $V_I = 0$	Full range			-0.3	
I_{OS}	Short-circuit output current	$\overline{D0-D7}$, \overline{OFLW} , \overline{INT} , or $\overline{WR/RDY}$	Full range	$V_O = 5\text{ V}$			7	mA		
					25°C				8.4	14
		$\overline{D0-D7}$ or \overline{OFLW}	Full range	$V_O = 0$					-6	
					25°C				-7.2	-12
		\overline{INT}	Full range	$V_O = 0$			-4.5			
					25°C				-5.3	-9
R_{ref}	Reference resistance		Full range			6	k Ω			
				25°C	1.25	2.3		5.3		
I_{CC}	Supply current	\overline{CS} , $\overline{WR/RDY}$, and \overline{RD} at 0 V	Full range			15	mA			
				25°C				7.5	13	
C_i	Input capacitance	$\overline{D0-D7}$	Full range			5	pF			
				ANLG IN				45		
C_o	Output capacitance	$\overline{D0-D7}$	Full range			5	pF			

† Full range is as specified in recommended operating conditions.



TLC0820AC, TLC0820AI
Advanced LinCMOS™ HIGH-SPEED 8-BIT ANALOG-TO-DIGITAL
CONVERTERS USING MODIFIED FLASH TECHNIQUES

SLAS064A – SEPTEMBER 1986 – REVISED JUNE 1994

operating characteristics, $V_{CC} = 5\text{ V}$, $V_{ref+} = 5\text{ V}$, $V_{ref-} = 0$, $t_r = t_f = 20\text{ ns}$, $T_A = 25^\circ\text{C}$ (unless otherwise noted)

PARAMETER		TEST CONDITIONS†		MIN	TYP	MAX	UNIT
kSVS	Supply-voltage sensitivity	$V_{CC} = 5\text{ V} \pm 5\%$, $T_A = \text{MIN to MAX}$			$\pm 1/16$	$\pm 1/4$	LSB
	Total unadjusted error‡	MODE at 0 V, $T_A = \text{MIN to MAX}$				1	LSB
$t_{conv(R)}$	Conversion time, read mode	MODE at 0 V, See Figure 1			1.6	2.5	μs
$t_a(R)$	Access time, $\overline{RD}\downarrow$ to data valid	MODE at 0 V, See Figure 1			$t_{conv(R)+20}$	$t_{conv(R)+50}$	ns
$t_a(R1)$	Access time, $\overline{RD}\downarrow$ to data valid	MODE at 5 V, $t_d(WR) < t_d(int)$, See Figure 2	$C_L = 15\text{ pF}$		190	280	ns
			$C_L = 100\text{ pF}$		210	320	
$t_a(R2)$	Access time, $\overline{RD}\downarrow$ to data valid	MODE at 5 V, $t_d(WR) > t_d(int)$, See Figure 3	$C_L = 15\text{ pF}$		70	120	ns
			$C_L = 100\text{ pF}$		90	150	
$t_a(INT)$	Access time, $\overline{INT}\downarrow$ to data valid	MODE at 5 V, See Figure 4			20	50	ns
t_{dis}	Disable time, $\overline{RD}\uparrow$ to data valid	$R_L = 1\text{ k}\Omega$, See Figures 1, 2, 3, and 5	$C_L = 10\text{ pF}$,		70	95	ns
$t_d(int)$	Delay time, $WR/RDY\uparrow$ to $INT\downarrow$	MODE at 5 V, $C_L = 50\text{ pF}$, See Figures 2, 3, and 4			800	1300	ns
$t_d(NC)$	Delay time, to next conversion	See Figures 1, 2, 3, and 4		500			ns
$t_d(WR)$	Delay time, $\overline{WR}/RDY\uparrow$ to $\overline{RD}\downarrow$ in write-read mode	See Figure 2		0.4			μs
$t_d(RDY)$	Delay time, $CS\downarrow$ to $WR/RDY\downarrow$	MODE at 0 V, $C_L = 50\text{ pF}$, See Figure 1			50	100	ns
$t_d(RIH)$	Delay time, $\overline{RD}\uparrow$ to $\overline{INT}\uparrow$	$C_L = 50\text{ pF}$,	See Figures 1, 2, and 3		125	225	ns
$t_d(RIL)$	Delay time, $RD\downarrow$ to $INT\downarrow$	MODE at 5 V, $t_d(WR) < t_d(int)$, See Figure 2			200	290	ns
$t_d(WIH)$	Delay time, $\overline{WR}/RDY\uparrow$ to $\overline{INT}\uparrow$	MODE at 5 V, $C_L = 50\text{ pF}$, See Figure 4			175	270	ns
	Slew-rate tracking				0.1		$\text{V}/\mu\text{s}$

† For conditions shown as MIN or MAX, use the appropriate value specified under recommended operating conditions.

‡ Total unadjusted error includes offset, full-scale, and linearity errors.



PARAMETER MEASUREMENT INFORMATION

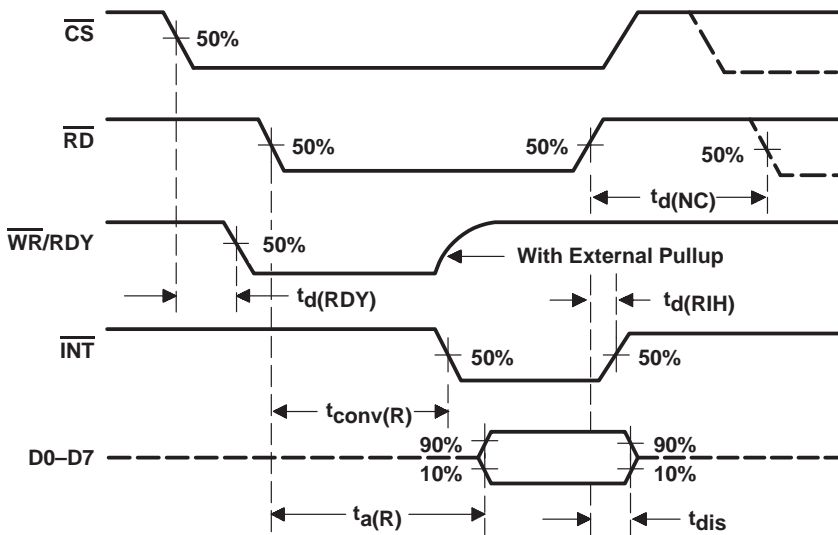


Figure 1. Read-Mode Waveforms (MODE Low)

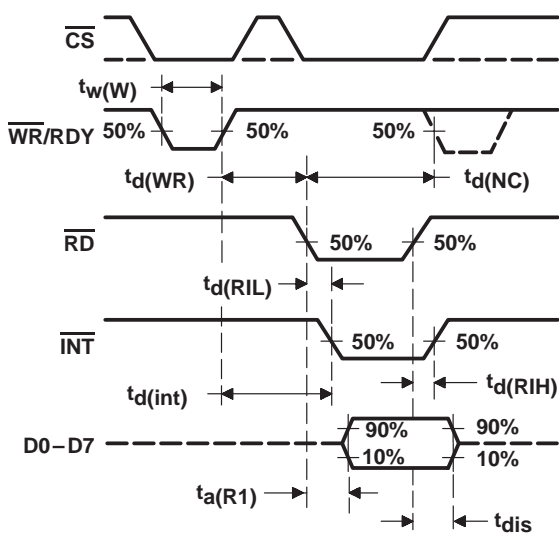


Figure 2. Write-Read-Mode Waveforms
 [MODE High and $t_d(WR) < t_d(int)$]

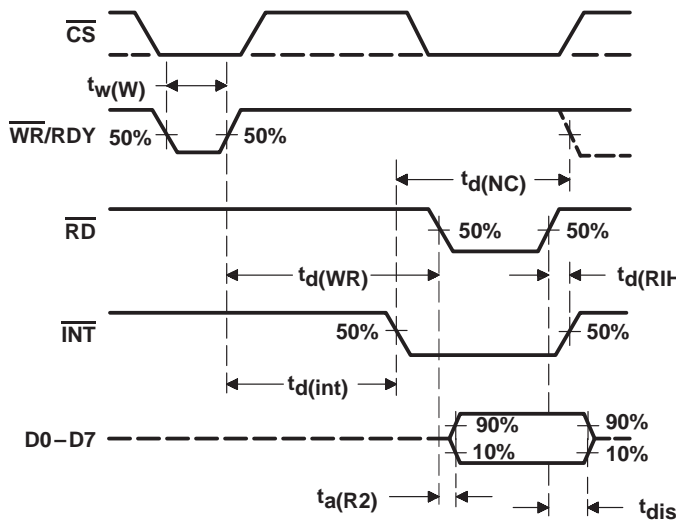


Figure 3. Write-Read-Mode Waveforms
 [MODE High and $t_d(WR) > t_d(int)$]

TLC0820AC, TLC0820AI
 Advanced LinCMOS™ HIGH-SPEED 8-BIT ANALOG-TO-DIGITAL
 CONVERTERS USING MODIFIED FLASH TECHNIQUES

SLAS064A – SEPTEMBER 1986 – REVISED JUNE 1994

PARAMETER MEASUREMENT INFORMATION

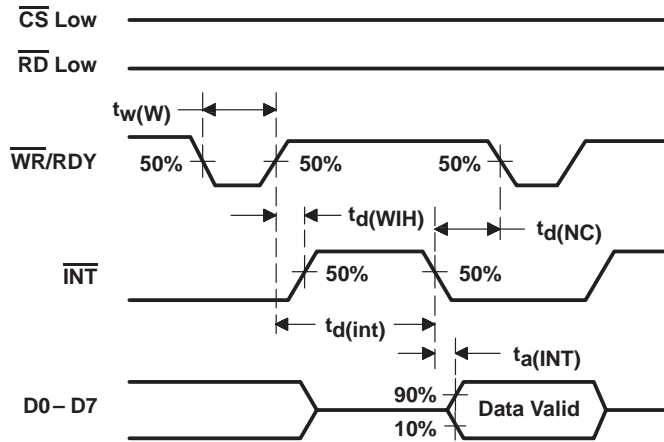


Figure 4. Write-Read-Mode Waveforms
 (Stand-Alone Operation, MODE High, and RD Low)

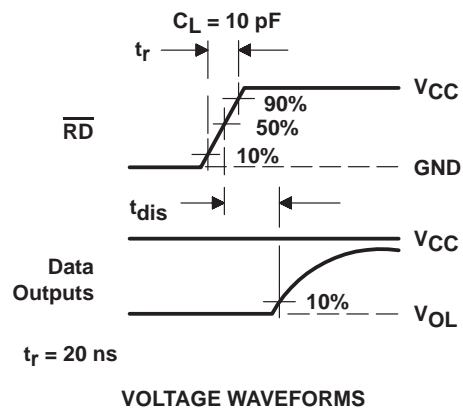
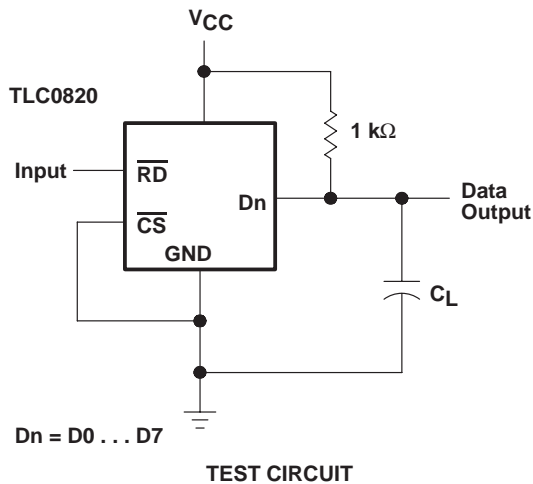
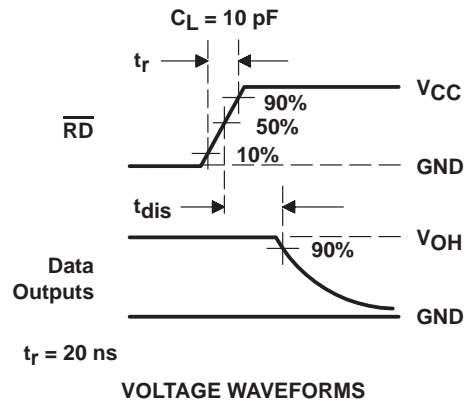
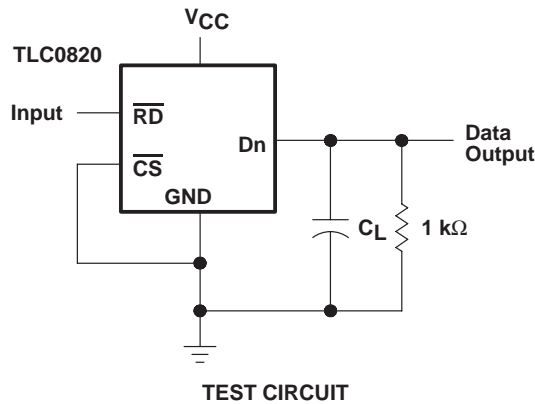


Figure 5. Test Circuit and Voltage Waveforms

PRINCIPLES OF OPERATION

The TLC0820AC and TLC0820AI each employ a combination of sampled-data comparator techniques and flash techniques common to many high-speed converters. Two 4-bit flash analog-to-digital conversions are used to give a full 8-bit output.

The recommended analog input voltage range for conversion is -0.1 V to $V_{CC} + 0.1\text{ V}$. Analog input signals that are less than $V_{ref-} + 1/2\text{ LSB}$ or greater than $V_{ref+} - 1/2\text{ LSB}$ convert to 00000000 or 11111111, respectively. The reference inputs are fully differential with common-mode limits defined by the supply rails. The reference input values define the full-scale range of the analog input. This allows the gain of the ADC to be varied for ratiometric conversion by changing the V_{ref+} and V_{ref-} voltages.

The device operates in two modes, read (only) and write-read, that are selected by MODE. The converter is set to the read (only) mode when MODE is low. In the read mode, \overline{WR}/RDY is used as an output and is referred to as the ready terminal. In this mode, a low on \overline{WR}/RDY while \overline{CS} is low indicates that the device is busy. Conversion starts on the falling edge of \overline{RD} and is completed no more than $2.5\text{ }\mu\text{s}$ later when \overline{INT} falls and \overline{WR}/RDY returns to the high-impedance state. Data outputs also change from high-impedance to active states at this time. After the data is read, \overline{RD} is taken high, \overline{INT} returns high, and the data outputs return to their high-impedance states.

When MODE is high, the converter is set to the write-read mode and \overline{WR}/RDY is referred to as the write terminal. Taking \overline{CS} and \overline{WR}/RDY low selects the converter and initiates measurement of the input signal. Approximately 600 ns after \overline{WR}/RDY returns high, the conversion is completed. Conversion starts on the rising edge of \overline{WR}/RDY in the write-read mode.

The high-order 4-bit flash ADC measures the input by means of 16 comparators operating simultaneously. A high-precision 4-bit DAC then generates a discrete analog voltage from the result of that conversion. After a time delay, a second bank of comparators does a low-order conversion on the analog difference between the input level and the high-order DAC output. The results from each of these conversions enter an 8-bit latch and are output to the 3-state output buffers on the falling edge of \overline{RD} .

TLC0820AC, TLC0820AI
Advanced LinCMOS™ HIGH-SPEED 8-BIT ANALOG-TO-DIGITAL
CONVERTERS USING MODIFIED FLASH TECHNIQUES

SLAS064A – SEPTEMBER 1986 – REVISED JUNE 1994

APPLICATION INFORMATION

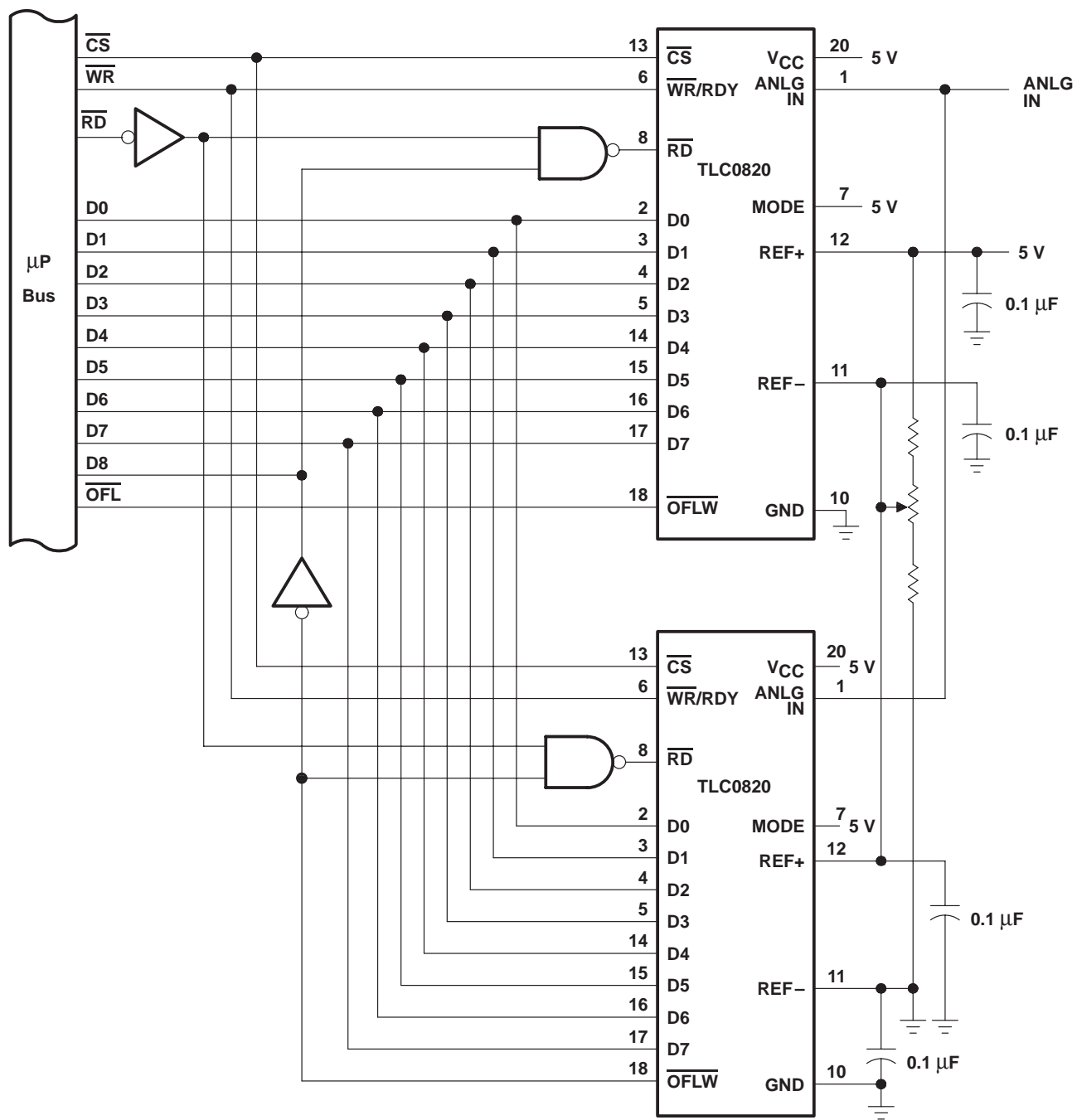


Figure 6. Configuration for 9-Bit Resolution



PACKAGING INFORMATION

Orderable Device	Status (1)	Package Type	Package Drawing	Pins	Package Qty	Eco Plan (2)	Lead/Ball Finish (6)	MSL Peak Temp (3)	Op Temp (°C)	Device Marking (4/5)	Samples
TLC0820ACDB	ACTIVE	SSOP	DB	20	70	Green (RoHS & no Sb/Br)	CU NIPDAU	Level-1-260C-UNLIM	0 to 70	P0820A	Samples
TLC0820ACDBR	ACTIVE	SSOP	DB	20	2000	Green (RoHS & no Sb/Br)	CU NIPDAU	Level-1-260C-UNLIM		P0820A	Samples
TLC0820ACDW	ACTIVE	SOIC	DW	20	25	Green (RoHS & no Sb/Br)	CU NIPDAU	Level-1-260C-UNLIM		TLC0820A	Samples
TLC0820ACDWG4	ACTIVE	SOIC	DW	20	25	Green (RoHS & no Sb/Br)	CU NIPDAU	Level-1-260C-UNLIM		TLC0820A	Samples
TLC0820ACDWR	ACTIVE	SOIC	DW	20	2000	Green (RoHS & no Sb/Br)	CU NIPDAU	Level-1-260C-UNLIM		TLC0820A	Samples
TLC0820ACDWRG4	ACTIVE	SOIC	DW	20	2000	Green (RoHS & no Sb/Br)	CU NIPDAU	Level-1-260C-UNLIM		TLC0820A	Samples
TLC0820ACFN	ACTIVE	PLCC	FN	20	46	Green (RoHS & no Sb/Br)	CU SN	Level-1-260C-UNLIM		TLC0820AC	Samples
TLC0820ACN	ACTIVE	PDIP	N	20	20	Pb-Free (RoHS)	CU NIPDAU	N / A for Pkg Type		TLC0820ACN	Samples
TLC0820ACNE4	ACTIVE	PDIP	N	20	20	Pb-Free (RoHS)	CU NIPDAU	N / A for Pkg Type		TLC0820ACN	Samples
TLC0820AIDW	ACTIVE	SOIC	DW	20	25	Green (RoHS & no Sb/Br)	CU NIPDAU	Level-1-260C-UNLIM		TLC0820AI	Samples
TLC0820AIDWG4	ACTIVE	SOIC	DW	20	25	Green (RoHS & no Sb/Br)	CU NIPDAU	Level-1-260C-UNLIM		TLC0820AI	Samples
TLC0820AIDWR	ACTIVE	SOIC	DW	20	2000	Green (RoHS & no Sb/Br)	CU NIPDAU	Level-1-260C-UNLIM		TLC0820AI	Samples
TLC0820AIDWRG4	ACTIVE	SOIC	DW	20	2000	Green (RoHS & no Sb/Br)	CU NIPDAU	Level-1-260C-UNLIM		TLC0820AI	Samples
TLC0820AIFN	ACTIVE	PLCC	FN	20	46	Green (RoHS & no Sb/Br)	CU SN	Level-1-260C-UNLIM		TLC0820AI	Samples
TLC0820AIN	ACTIVE	PDIP	N	20	20	Pb-Free (RoHS)	CU NIPDAU	N / A for Pkg Type		TLC0820AIN	Samples
TLC0820AINE4	ACTIVE	PDIP	N	20	20	Pb-Free (RoHS)	CU NIPDAU	N / A for Pkg Type		TLC0820AIN	Samples

(1) The marketing status values are defined as follows:
ACTIVE: Product device recommended for new designs.

LIFEBUY: TI has announced that the device will be discontinued, and a lifetime-buy period is in effect.

NRND: Not recommended for new designs. Device is in production to support existing customers, but TI does not recommend using this part in a new design.

PREVIEW: Device has been announced but is not in production. Samples may or may not be available.

OBSELETE: TI has discontinued the production of the device.

⁽²⁾ Eco Plan - The planned eco-friendly classification: Pb-Free (RoHS), Pb-Free (RoHS Exempt), or Green (RoHS & no Sb/Br) - please check <http://www.ti.com/productcontent> for the latest availability information and additional product content details.

TBD: The Pb-Free/Green conversion plan has not been defined.

Pb-Free (RoHS): TI's terms "Lead-Free" or "Pb-Free" mean semiconductor products that are compatible with the current RoHS requirements for all 6 substances, including the requirement that lead not exceed 0.1% by weight in homogeneous materials. Where designed to be soldered at high temperatures, TI Pb-Free products are suitable for use in specified lead-free processes.

Pb-Free (RoHS Exempt): This component has a RoHS exemption for either 1) lead-based flip-chip solder bumps used between the die and package, or 2) lead-based die adhesive used between the die and leadframe. The component is otherwise considered Pb-Free (RoHS compatible) as defined above.

Green (RoHS & no Sb/Br): TI defines "Green" to mean Pb-Free (RoHS compatible), and free of Bromine (Br) and Antimony (Sb) based flame retardants (Br or Sb do not exceed 0.1% by weight in homogeneous material)

⁽³⁾ MSL, Peak Temp. - The Moisture Sensitivity Level rating according to the JEDEC industry standard classifications, and peak solder temperature.

⁽⁴⁾ There may be additional marking, which relates to the logo, the lot trace code information, or the environmental category on the device.

⁽⁵⁾ Multiple Device Markings will be inside parentheses. Only one Device Marking contained in parentheses and separated by a "~" will appear on a device. If a line is indented then it is a continuation of the previous line and the two combined represent the entire Device Marking for that device.

⁽⁶⁾ Lead/Ball Finish - Orderable Devices may have multiple material finish options. Finish options are separated by a vertical ruled line. Lead/Ball Finish values may wrap to two lines if the finish value exceeds the maximum column width.

Important Information and Disclaimer:The information provided on this page represents TI's knowledge and belief as of the date that it is provided. TI bases its knowledge and belief on information provided by third parties, and makes no representation or warranty as to the accuracy of such information. Efforts are underway to better integrate information from third parties. TI has taken and continues to take reasonable steps to provide representative and accurate information but may not have conducted destructive testing or chemical analysis on incoming materials and chemicals. TI and TI suppliers consider certain information to be proprietary, and thus CAS numbers and other limited information may not be available for release.

In no event shall TI's liability arising out of such information exceed the total purchase price of the TI part(s) at issue in this document sold by TI to Customer on an annual basis.

TAPE AND REEL INFORMATION



QUADRANT ASSIGNMENTS FOR PIN 1 ORIENTATION IN TAPE



*All dimensions are nominal

Device	Package Type	Package Drawing	Pins	SPQ	Reel Diameter (mm)	Reel Width W1 (mm)	A0 (mm)	B0 (mm)	K0 (mm)	P1 (mm)	W (mm)	Pin1 Quadrant
TLC0820ACDBR	SSOP	DB	20	2000	330.0	16.4	8.2	7.5	2.5	12.0	16.0	Q1
TLC0820ACDWR	SOIC	DW	20	2000	330.0	24.4	10.8	13.3	2.7	12.0	24.0	Q1
TLC0820AIDWR	SOIC	DW	20	2000	330.0	24.4	10.8	13.3	2.7	12.0	24.0	Q1

TAPE AND REEL BOX DIMENSIONS

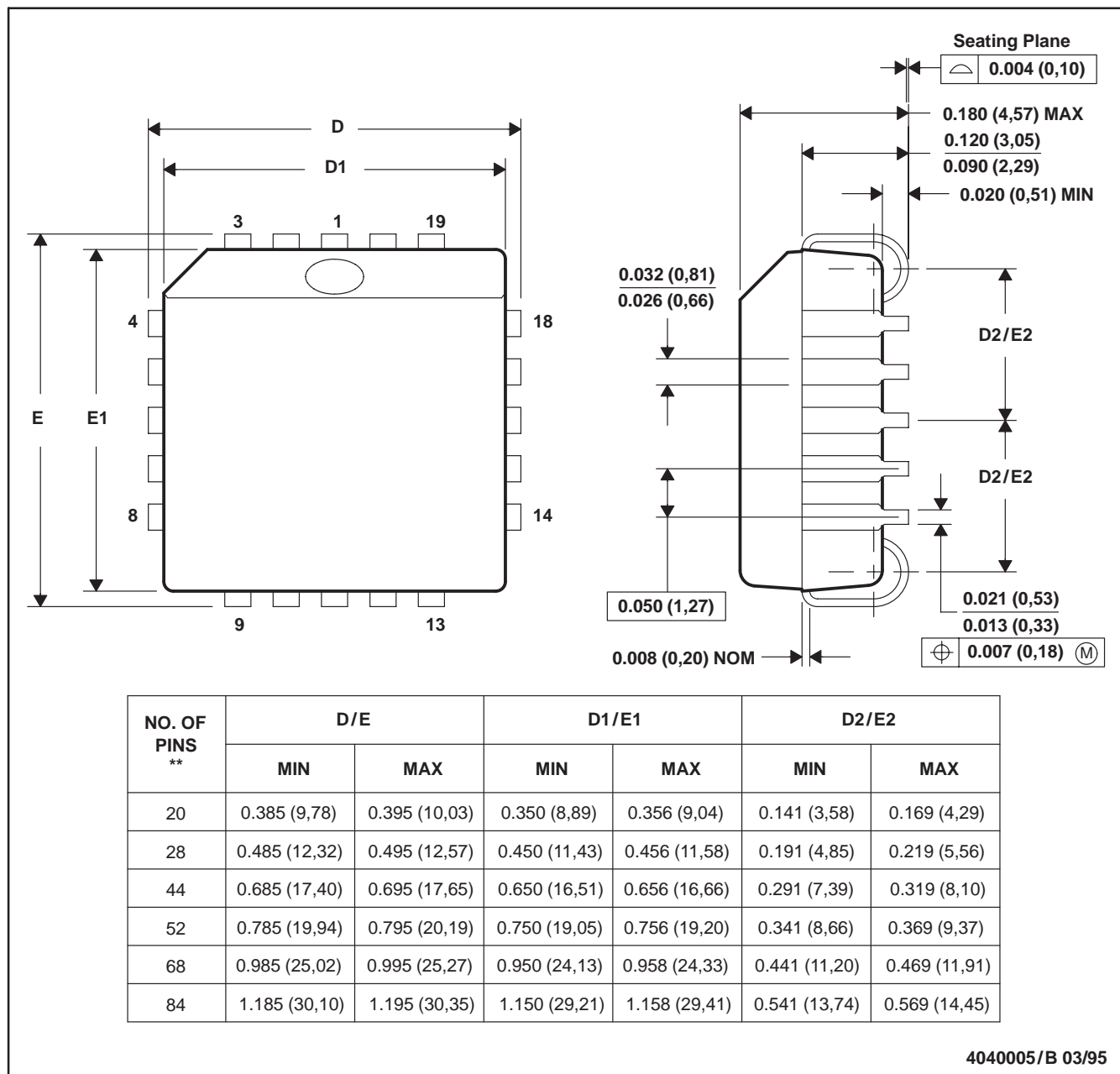

*All dimensions are nominal

Device	Package Type	Package Drawing	Pins	SPQ	Length (mm)	Width (mm)	Height (mm)
TLC0820ACDBR	SSOP	DB	20	2000	367.0	367.0	38.0
TLC0820ACDWR	SOIC	DW	20	2000	367.0	367.0	45.0
TLC0820AIDWR	SOIC	DW	20	2000	367.0	367.0	45.0

FN (S-PQCC-J**)

PLASTIC J-LEADED CHIP CARRIER

20 PIN SHOWN



- NOTES: A. All linear dimensions are in inches (millimeters).
 B. This drawing is subject to change without notice.
 C. Falls within JEDEC MS-018

DB (R-PDSO-G**)

PLASTIC SMALL-OUTLINE

28 PINS SHOWN



- NOTES: A. All linear dimensions are in millimeters.
 B. This drawing is subject to change without notice.
 C. Body dimensions do not include mold flash or protrusion not to exceed 0,15.
 D. Falls within JEDEC MO-150

N (R-PDIP-T**)

PLASTIC DUAL-IN-LINE PACKAGE

16 PINS SHOWN



- NOTES:
- A. All linear dimensions are in inches (millimeters).
 - B. This drawing is subject to change without notice.
 - Falls within JEDEC MS-001, except 18 and 20 pin minimum body length (Dim A).
 - The 20 pin end lead shoulder width is a vendor option, either half or full width.

DW0020A



PACKAGE OUTLINE

SOIC - 2.65 mm max height

SOIC



4220724/A 05/2016

NOTES:

1. All linear dimensions are in millimeters. Dimensions in parenthesis are for reference only. Dimensioning and tolerancing per ASME Y14.5M.
2. This drawing is subject to change without notice.
3. This dimension does not include mold flash, protrusions, or gate burrs. Mold flash, protrusions, or gate burrs shall not exceed 0.15 mm per side.
4. This dimension does not include interlead flash. Interlead flash shall not exceed 0.43 mm per side.
5. Reference JEDEC registration MS-013.

EXAMPLE BOARD LAYOUT

DW0020A

SOIC - 2.65 mm max height

SOIC



LAND PATTERN EXAMPLE
SCALE:6X



SOLDER MASK DETAILS

4220724/A 05/2016

NOTES: (continued)

- 6. Publication IPC-7351 may have alternate designs.
- 7. Solder mask tolerances between and around signal pads can vary based on board fabrication site.

EXAMPLE STENCIL DESIGN

DW0020A

SOIC - 2.65 mm max height

SOIC



SOLDER PASTE EXAMPLE
BASED ON 0.125 mm THICK STENCIL
SCALE:6X

4220724/A 05/2016

NOTES: (continued)

8. Laser cutting apertures with trapezoidal walls and rounded corners may offer better paste release. IPC-7525 may have alternate design recommendations.
9. Board assembly site may have different recommendations for stencil design.

IMPORTANT NOTICE

Texas Instruments Incorporated (TI) reserves the right to make corrections, enhancements, improvements and other changes to its semiconductor products and services per JESD46, latest issue, and to discontinue any product or service per JESD48, latest issue. Buyers should obtain the latest relevant information before placing orders and should verify that such information is current and complete.

TI's published terms of sale for semiconductor products (<http://www.ti.com/sc/docs/stdterms.htm>) apply to the sale of packaged integrated circuit products that TI has qualified and released to market. Additional terms may apply to the use or sale of other types of TI products and services.

Reproduction of significant portions of TI information in TI data sheets is permissible only if reproduction is without alteration and is accompanied by all associated warranties, conditions, limitations, and notices. TI is not responsible or liable for such reproduced documentation. Information of third parties may be subject to additional restrictions. Resale of TI products or services with statements different from or beyond the parameters stated by TI for that product or service voids all express and any implied warranties for the associated TI product or service and is an unfair and deceptive business practice. TI is not responsible or liable for any such statements.

Buyers and others who are developing systems that incorporate TI products (collectively, "Designers") understand and agree that Designers remain responsible for using their independent analysis, evaluation and judgment in designing their applications and that Designers have full and exclusive responsibility to assure the safety of Designers' applications and compliance of their applications (and of all TI products used in or for Designers' applications) with all applicable regulations, laws and other applicable requirements. Designer represents that, with respect to their applications, Designer has all the necessary expertise to create and implement safeguards that (1) anticipate dangerous consequences of failures, (2) monitor failures and their consequences, and (3) lessen the likelihood of failures that might cause harm and take appropriate actions. Designer agrees that prior to using or distributing any applications that include TI products, Designer will thoroughly test such applications and the functionality of such TI products as used in such applications.

TI's provision of technical, application or other design advice, quality characterization, reliability data or other services or information, including, but not limited to, reference designs and materials relating to evaluation modules, (collectively, "TI Resources") are intended to assist designers who are developing applications that incorporate TI products; by downloading, accessing or using TI Resources in any way, Designer (individually or, if Designer is acting on behalf of a company, Designer's company) agrees to use any particular TI Resource solely for this purpose and subject to the terms of this Notice.

TI's provision of TI Resources does not expand or otherwise alter TI's applicable published warranties or warranty disclaimers for TI products, and no additional obligations or liabilities arise from TI providing such TI Resources. TI reserves the right to make corrections, enhancements, improvements and other changes to its TI Resources. TI has not conducted any testing other than that specifically described in the published documentation for a particular TI Resource.

Designer is authorized to use, copy and modify any individual TI Resource only in connection with the development of applications that include the TI product(s) identified in such TI Resource. NO OTHER LICENSE, EXPRESS OR IMPLIED, BY ESTOPPEL OR OTHERWISE TO ANY OTHER TI INTELLECTUAL PROPERTY RIGHT, AND NO LICENSE TO ANY TECHNOLOGY OR INTELLECTUAL PROPERTY RIGHT OF TI OR ANY THIRD PARTY IS GRANTED HEREIN, including but not limited to any patent right, copyright, mask work right, or other intellectual property right relating to any combination, machine, or process in which TI products or services are used. Information regarding or referencing third-party products or services does not constitute a license to use such products or services, or a warranty or endorsement thereof. Use of TI Resources may require a license from a third party under the patents or other intellectual property of the third party, or a license from TI under the patents or other intellectual property of TI.

TI RESOURCES ARE PROVIDED "AS IS" AND WITH ALL FAULTS. TI DISCLAIMS ALL OTHER WARRANTIES OR REPRESENTATIONS, EXPRESS OR IMPLIED, REGARDING RESOURCES OR USE THEREOF, INCLUDING BUT NOT LIMITED TO ACCURACY OR COMPLETENESS, TITLE, ANY EPIDEMIC FAILURE WARRANTY AND ANY IMPLIED WARRANTIES OF MERCHANTABILITY, FITNESS FOR A PARTICULAR PURPOSE, AND NON-INFRINGEMENT OF ANY THIRD PARTY INTELLECTUAL PROPERTY RIGHTS. TI SHALL NOT BE LIABLE FOR AND SHALL NOT DEFEND OR INDEMNIFY DESIGNER AGAINST ANY CLAIM, INCLUDING BUT NOT LIMITED TO ANY INFRINGEMENT CLAIM THAT RELATES TO OR IS BASED ON ANY COMBINATION OF PRODUCTS EVEN IF DESCRIBED IN TI RESOURCES OR OTHERWISE. IN NO EVENT SHALL TI BE LIABLE FOR ANY ACTUAL, DIRECT, SPECIAL, COLLATERAL, INDIRECT, PUNITIVE, INCIDENTAL, CONSEQUENTIAL OR EXEMPLARY DAMAGES IN CONNECTION WITH OR ARISING OUT OF TI RESOURCES OR USE THEREOF, AND REGARDLESS OF WHETHER TI HAS BEEN ADVISED OF THE POSSIBILITY OF SUCH DAMAGES.

Unless TI has explicitly designated an individual product as meeting the requirements of a particular industry standard (e.g., ISO/TS 16949 and ISO 26262), TI is not responsible for any failure to meet such industry standard requirements.

Where TI specifically promotes products as facilitating functional safety or as compliant with industry functional safety standards, such products are intended to help enable customers to design and create their own applications that meet applicable functional safety standards and requirements. Using products in an application does not by itself establish any safety features in the application. Designers must ensure compliance with safety-related requirements and standards applicable to their applications. Designer may not use any TI products in life-critical medical equipment unless authorized officers of the parties have executed a special contract specifically governing such use. Life-critical medical equipment is medical equipment where failure of such equipment would cause serious bodily injury or death (e.g., life support, pacemakers, defibrillators, heart pumps, neurostimulators, and implantables). Such equipment includes, without limitation, all medical devices identified by the U.S. Food and Drug Administration as Class III devices and equivalent classifications outside the U.S.

TI may expressly designate certain products as completing a particular qualification (e.g., Q100, Military Grade, or Enhanced Product). Designers agree that it has the necessary expertise to select the product with the appropriate qualification designation for their applications and that proper product selection is at Designers' own risk. Designers are solely responsible for compliance with all legal and regulatory requirements in connection with such selection.

Designer will fully indemnify TI and its representatives against any damages, costs, losses, and/or liabilities arising out of Designer's non-compliance with the terms and provisions of this Notice.